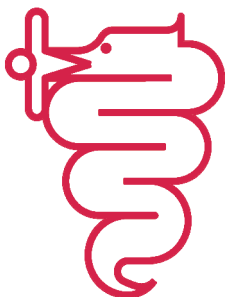


# BZ35

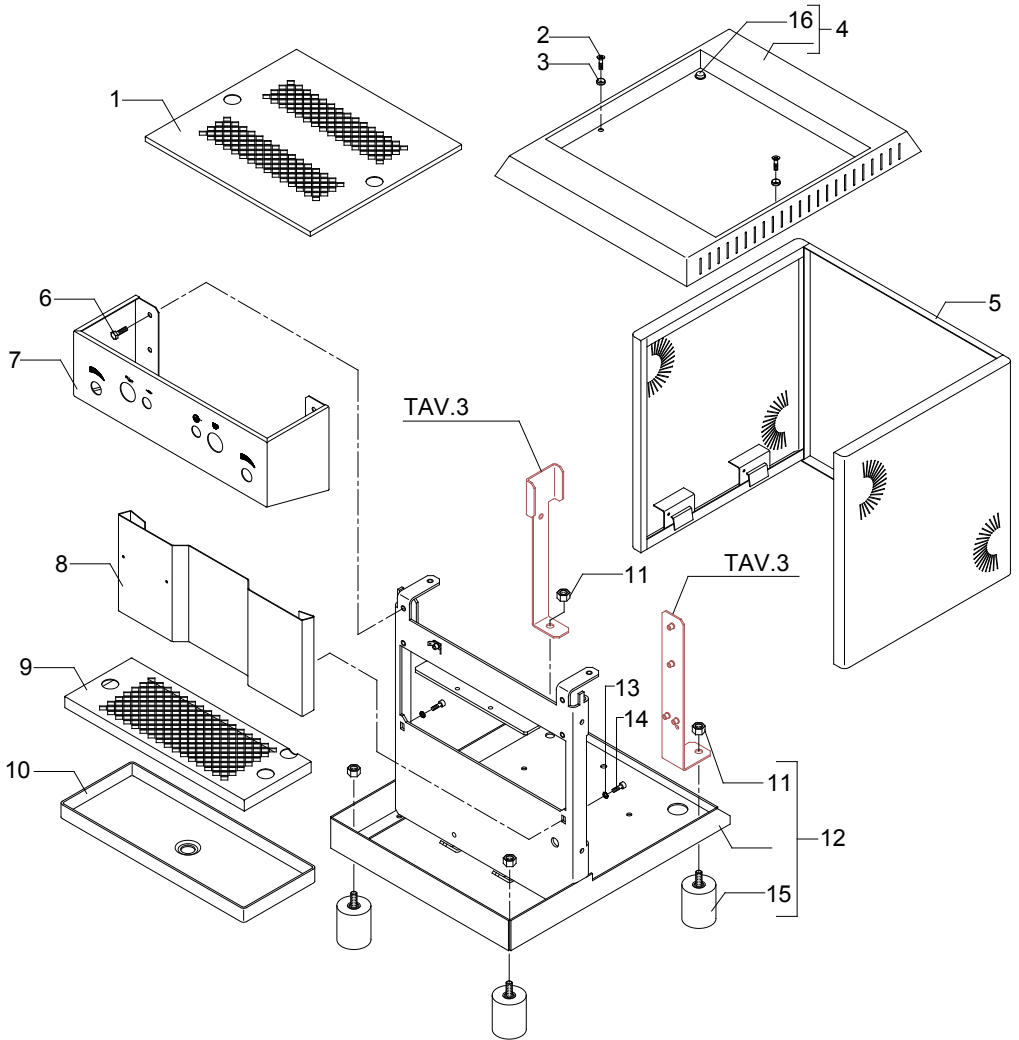


**BEZZERA**

Dal 1901



**TABLE 1**  
**Mod. R PM**



|                           | <b>POS</b> | <b>CODE</b>                    | <b>DESCRIPTION</b>                       |
|---------------------------|------------|--------------------------------|------------------------------------------|
| <b>TABLE 1A Mod. R DE</b> | 1          | 5076312LW                      | CUPS-HEATER GRID                         |
|                           | 2          | 7817801                        | SCREW TPS M4 X 16                        |
|                           | 3          | 5221846                        | WASHER FOR SPRING D4 H3 OT NICKEL-PLATED |
|                           | 4          | 5344002                        | COMPLETE CUPS-HEATER                     |
|                           | 5          | 5344001YE                      | ASSEMBLY BODY WHITE                      |
|                           | 5          | 5344004                        | ASSEMBLY BODY STAINLESS STEEL SATINED    |
|                           | 5          | 5344006                        | ASSEMBLY BODY STAINLESS STEEL SATINED    |
|                           | 5          | 5344001VM                      | ASSEMBLY BODY BLACK                      |
|                           | 5          | 5344020VM                      | ASSEMBLY BODY BLACK                      |
|                           | 5          | 5344001VT                      | ASSEMBLY BODY RED RAL 3000               |
|                           | 5          | 5344020VT                      | ASSEMBLY BODY RED RAL 3000               |
|                           | 5          | 5344001YA                      | ASSEMBLY BODY RED RAL 3005               |
|                           | 5          | 5344020YA                      | ASSEMBLY BODY RED RAL 3005               |
|                           | 6          | 7816404                        | SCREW TE M4X10 UNI 5739 A2               |
|                           | 7          | 5074327SG                      | WORKING FRONTAL PANEL WITH DIAPHRAGM     |
|                           | 8          | 5074209LL                      | GROUP FRONTAL                            |
|                           | 9          | 5074544LW                      | DRIP TRAY GRID                           |
| 10                        | 5373604    | DRIP TRAY ABS BLACK            |                                          |
| 11                        | 7821401    | NUT M8 UNI 5587 OT             |                                          |
| 12                        | 5344003LL  | ASSEMBLY CHASSIS               |                                          |
| 13                        | 7814002    | NOTCHED WASHER D5 DIN 6798A A2 |                                          |
| 14                        | 7816004    | SCREW TCEI M4 X 16             |                                          |
| 15                        | 7474201    | FEET D40X50 M8X18.5 RUBBER     |                                          |
| 16                        | 7999904    | ADHESIVE RUBBER TOP            |                                          |
| 17                        | 5660506    | MEMBRANE 52 X 60               |                                          |
|                           |            |                                |                                          |
|                           |            |                                |                                          |
|                           |            |                                |                                          |
|                           |            |                                |                                          |
|                           |            |                                |                                          |
|                           |            |                                |                                          |
|                           |            |                                |                                          |
|                           |            |                                |                                          |
|                           |            |                                |                                          |
|                           |            |                                |                                          |
|                           |            |                                |                                          |
|                           |            |                                |                                          |
|                           |            |                                |                                          |
|                           |            |                                |                                          |
|                           |            |                                |                                          |
|                           |            |                                |                                          |
|                           |            |                                |                                          |
|                           |            |                                |                                          |
|                           |            |                                |                                          |
|                           |            |                                |                                          |
|                           |            |                                |                                          |
|                           |            |                                |                                          |
|                           |            |                                |                                          |
|                           |            |                                |                                          |

**TABLE 1A**  
**Mod. R DE**

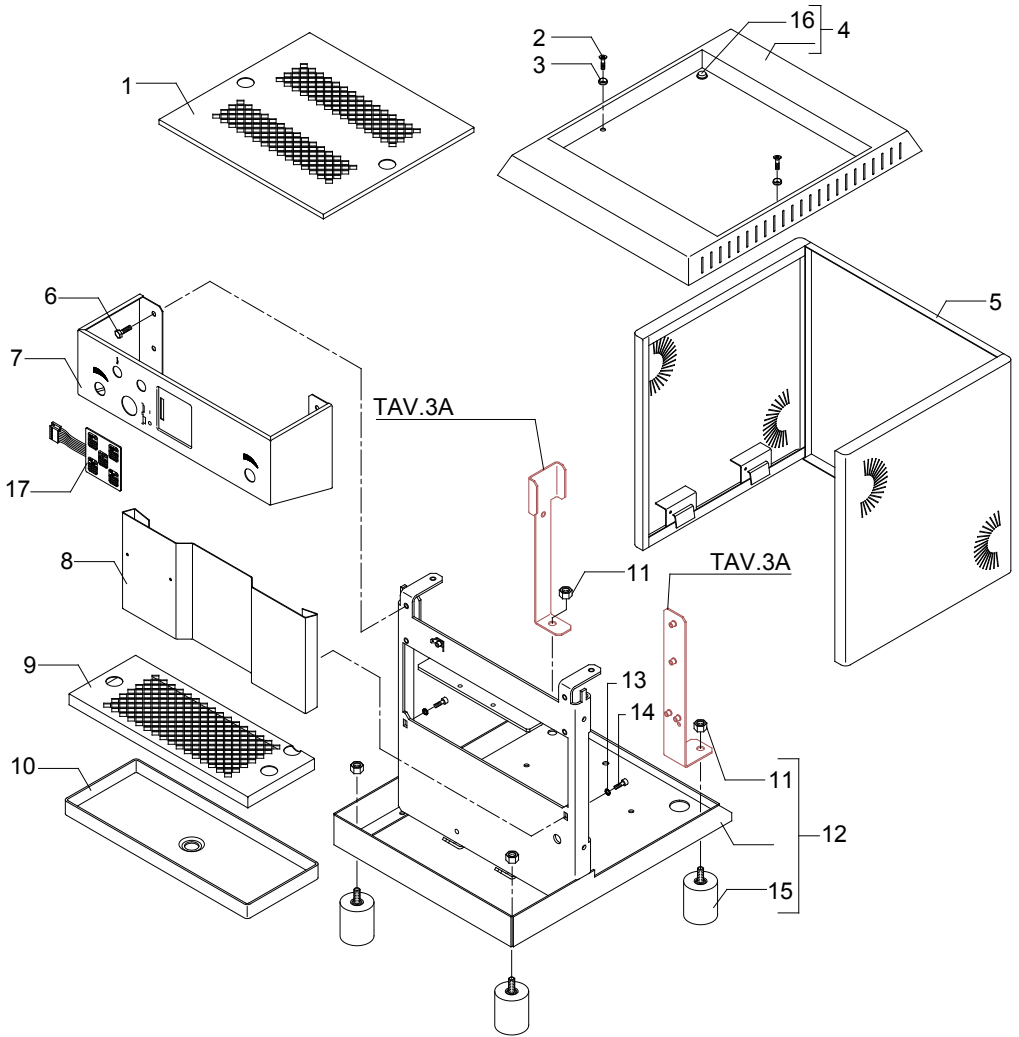
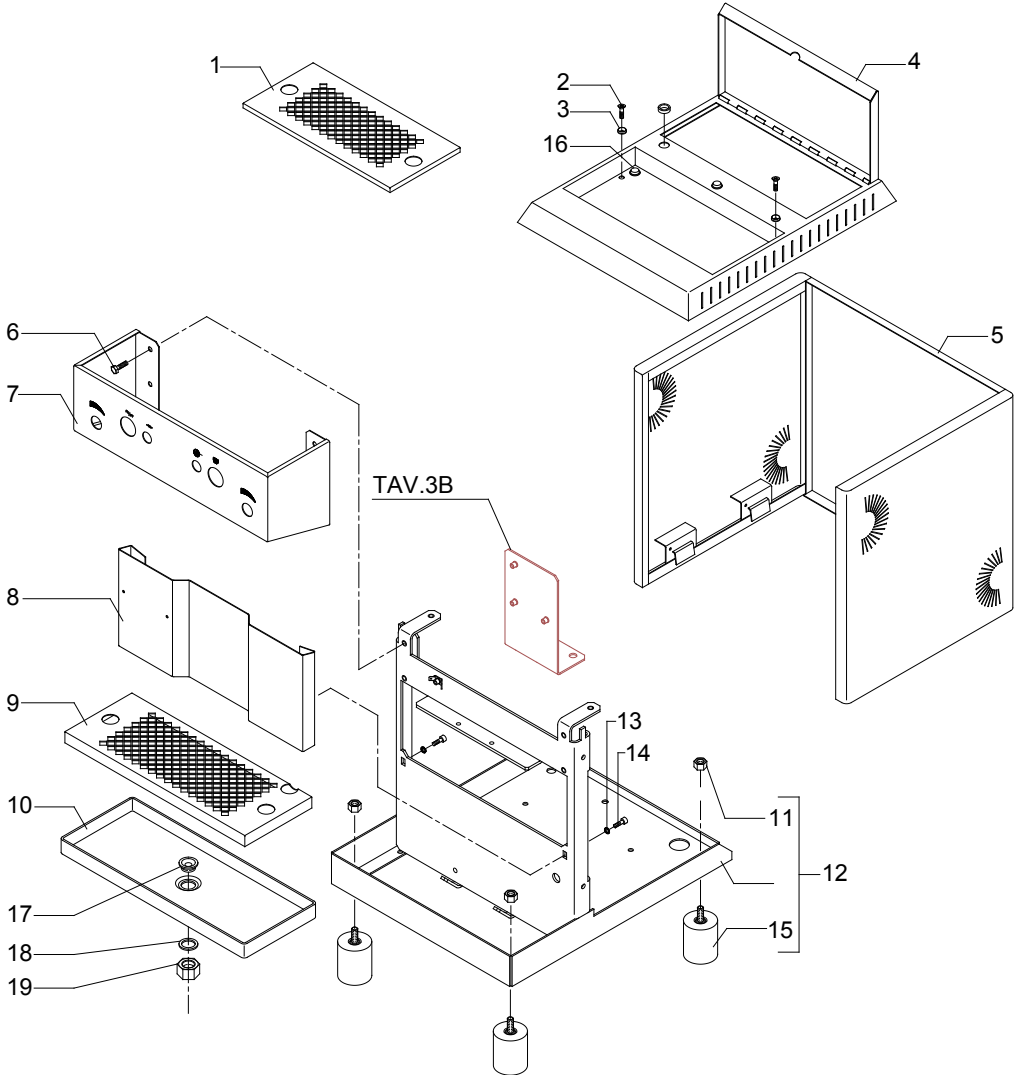




TABLE 1B Mod. S PM

| POS | CODE      | DESCRIPTION                              |
|-----|-----------|------------------------------------------|
| 1   | 5076314LW | CUPS-HEATER GRID                         |
| 2   | 7817801   | SCREW TPS M4 X 16                        |
| 3   | 5221846   | WASHER FOR SPRING D4 H3 OT NICKEL-PLATED |
| 4   | 5344028   | COMPLETE CUPS-HEATER                     |
| 5   | 5344001YE | ASSEMBLY BODY WHITE                      |
| 5   | 5344004   | ASSEMBLY BODY STAINLESS STEEL SATINED    |
| 5   | 5344006   | ASSEMBLY BODY STAINLESS STEEL SATINED    |
| 5   | 5344001VM | ASSEMBLY BODY BLACK                      |
| 5   | 5344020VM | ASSEMBLY BODY BLACK                      |
| 5   | 5344001VT | ASSEMBLY BODY RED RAL 3000               |
| 5   | 5344020VT | ASSEMBLY BODY RED RAL 3000               |
| 5   | 5344001YA | ASSEMBLY BODY RED RAL 3005               |
| 5   | 5344020YA | ASSEMBLY BODY RED RAL 3005               |
| 6   | 7816404   | SCREW TE M4X10 UNI 5739 A2               |
| 7   | 5074324SG | WORKING FRONTAL PANEL SILCKSCREENED PM   |
| 8   | 5074209LL | GROUP FRONTAL                            |
| 9   | 5074544LW | DRIP TRAY GRID                           |
| 10  | 5373604   | DRIP TRAY ABS BLACK                      |
| 11  | 7821401   | NUT M8 UNI 5587 OT                       |
| 12  | 5344003LL | ASSEMBLY CHASSIS                         |
| 13  | 7814002   | NOTCHED WASHER D5 DIN 6798A A2           |
| 14  | 7816004   | SCREW TCEI M4 X 16                       |
| 15  | 7474201   | FEET D40X50 M8X18.5 RUBBER               |
| 16  | 7999904   | ADHESIVE RUBBER TOP                      |
| 17  | 5225230   | FITTING 3/8"                             |
| 18  | 5492022   | GASKET D25 X 17 X 2                      |
| 19  | 5221819   | CAP NUT 3/8"                             |
|     |           |                                          |
|     |           |                                          |
|     |           |                                          |
|     |           |                                          |
|     |           |                                          |
|     |           |                                          |
|     |           |                                          |
|     |           |                                          |
|     |           |                                          |
|     |           |                                          |
|     |           |                                          |
|     |           |                                          |
|     |           |                                          |
|     |           |                                          |
|     |           |                                          |
|     |           |                                          |
|     |           |                                          |
|     |           |                                          |
|     |           |                                          |
|     |           |                                          |
|     |           |                                          |

**TABLE 1B**  
**Mod. S PM**



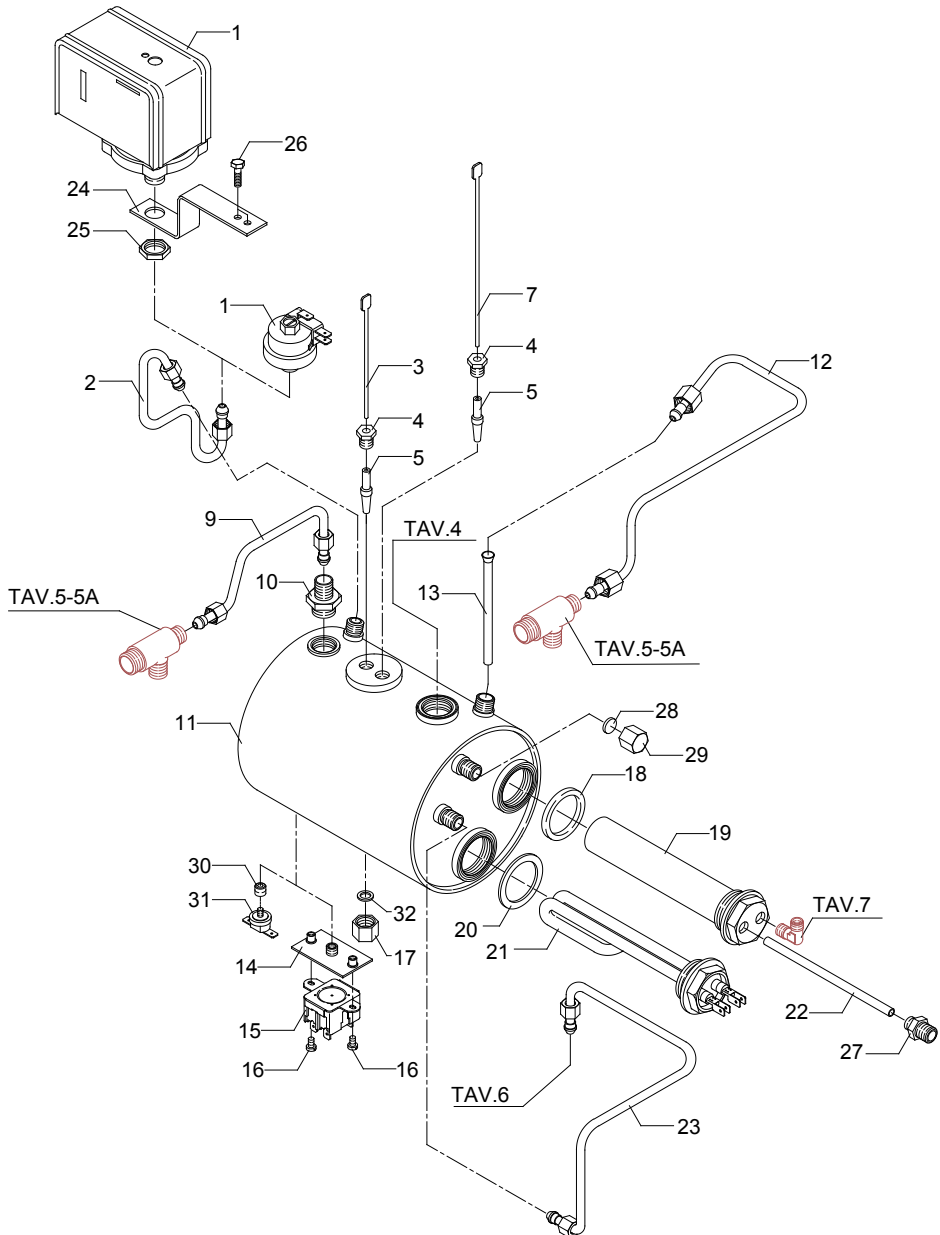


**TABLE 2 Mod. R DE - R PM**

| <b>POS</b> | <b>CODE</b>  | <b>DESCRIPTION</b>                           |
|------------|--------------|----------------------------------------------|
| 1          | 7433008      | PRESSOSTAT XP/100 1/4"G CALIBRATION 1.2 BAR  |
| 1          | 7433002      | PRESSOSTAT XP/100 1/4"G CALIBRATION 1 BAR    |
| 1          | 7433024      | PRESSOSTAT SIRAI P303T01                     |
| 2          | 5162043LL    | COMPLETE HOSE FOR PRESSOSTAT                 |
| 3          | 5265819      | LEVEL PROBE D3 X 80 X 6.3                    |
| 4          | 5225205      | STRAIGHT FITTING M10 OT                      |
| 5          | 5192001      | PROBE SHEATH D8 X 45 HOLE D3 PTFE            |
| 7          | 5265812      | MINIMUM LEVEL PROBE D3 X 110 X 4.8           |
| 9          | 5162044LL    | COMPLETE HOSE FOR STEAM TAP                  |
| 10         | 5302005      | STRAIGHT FITTING 3/8"G X M13                 |
| 11         | 5320501.02TP | ASSEMBLY BOILER POLISHED                     |
| 12         | 5162045LL    | COMPLETE HOSE FOR WATER TAP                  |
| 13         | 5192306      | SUCTION HOSE L=100MM PTFE                    |
| 14         | 5058408LL    | COMPLETE THERMIC SAFETY DEVICE SUPPORT       |
| 15         | 7634819      | THERMIC SAFETY DEVICE 250V 130°C             |
| 16         | 7816017      | SCREW TCEI M4 X 6 UNI5931 A2                 |
| 17         | 5221840      | CAP NUT M13X1                                |
| 18         | 5495007      | GASKET D32 X 3 BRASS                         |
| 19         | 5329005.01TP | ASSEMBLY EXCHANGER HOSE POLISHED             |
| 20         | 5492004      | GASKET D42 X 32 X 2 ASBESTOS FREE            |
| 21         | 5721127TP    | HEATING ELEMENT 1350 110V (from 19.04.07)    |
| 21         | 5722240TP    | HEATING ELEMENT COPPER 220/240V - 1250/1450W |
| 22         | 5192301      | SUCTION HOSE D6 L=130MM PTFE                 |
| 23         | 5162046LL    | COMPLETE HOSE FOR WATER BOILER LOAD          |
| 24         | 5058415LW    | PRESSOSTAT SUPPORT (up to 21/04/04)          |
| 25         | 5221821      | NUT 1/4"G H5 OT (up to 21/04/04)             |
| 26         | 7816404      | SCREW TE M4X10 UNI 5739 A2 (up to 21/04/04)  |
| 27         | 5302006TP    | STRAIGHT FITTING 1/8"G X M12                 |
| 28         | 5492008      | GASKET D10.5 X 2                             |
| 29         | 5221813      | CAP NUT M12                                  |
| 30         | 5227007      | DOWEL M8 X 6 HOLE M4                         |
| 31         | 7634801      | THERMIC SAFETY DEVICE 250V 125°C AUTOMATIC   |
| 32         | 5492020      | GASKET D11.5 X 2                             |
|            |              |                                              |
|            |              |                                              |
|            |              |                                              |
|            |              |                                              |
|            |              |                                              |
|            |              |                                              |
|            |              |                                              |
|            |              |                                              |
|            |              |                                              |
|            |              |                                              |
|            |              |                                              |
|            |              |                                              |
|            |              |                                              |

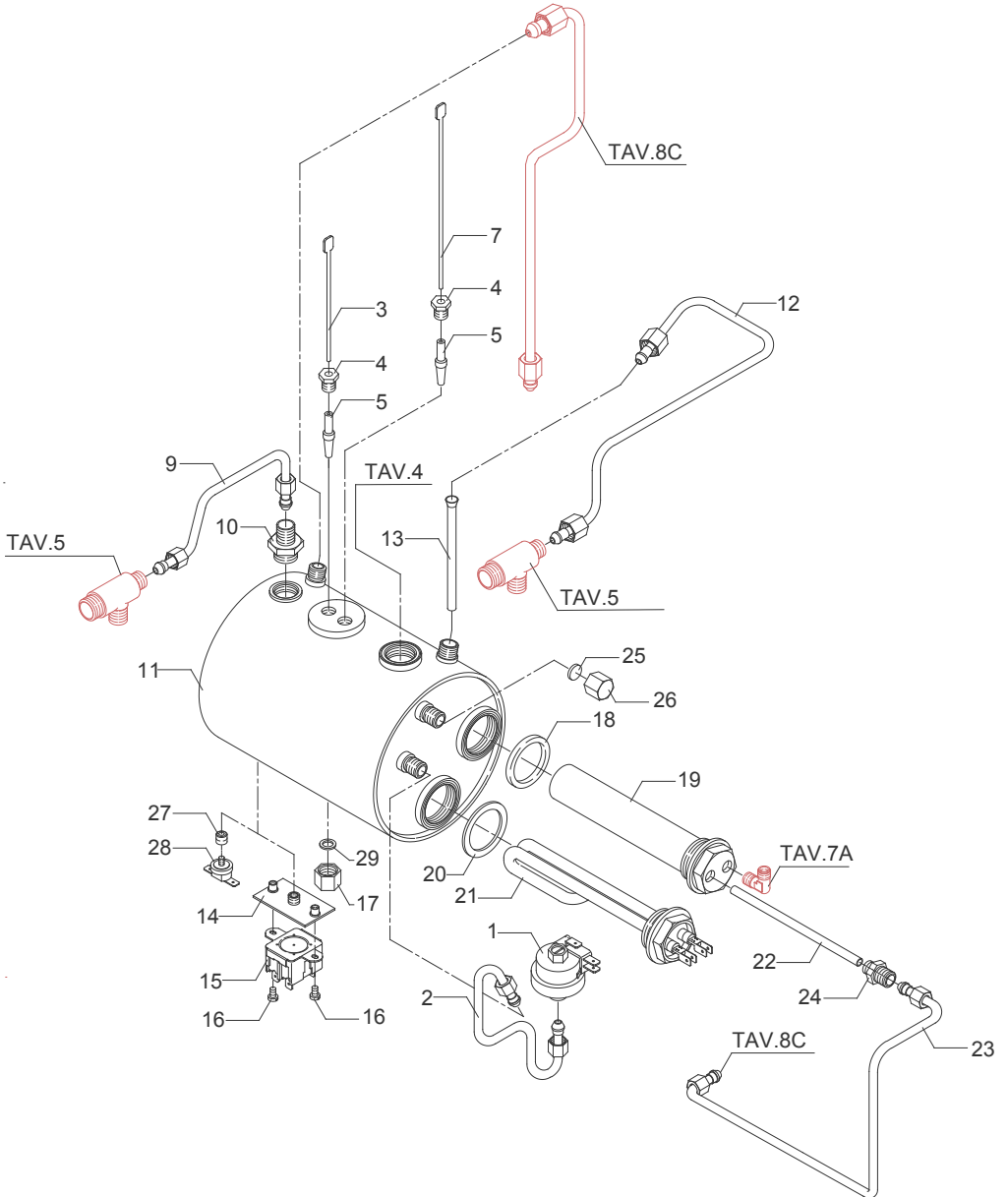


**TABLE 2**  
**Mod. R DE - R PM**





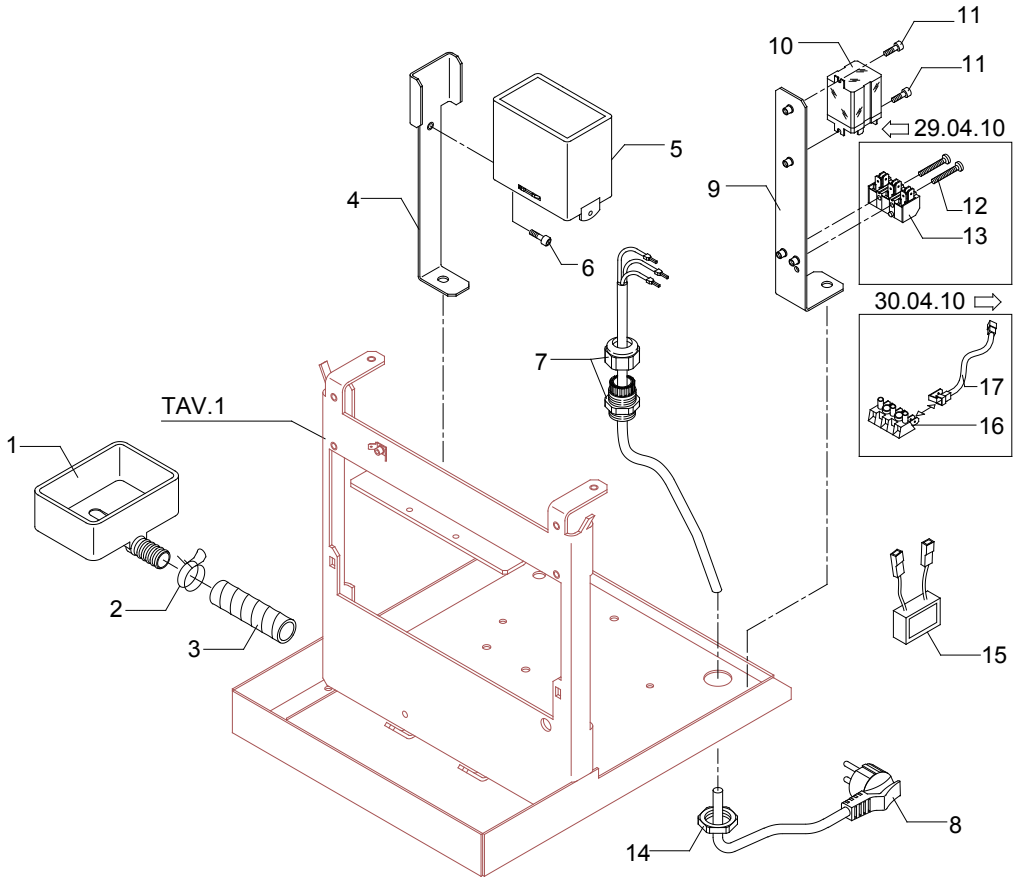
**TABLE 2A**  
**Mod. S PM**





| POS | CODE       | DESCRIPTION                                          |
|-----|------------|------------------------------------------------------|
| 1   | 5373603.01 | DRIP TRAY ABS                                        |
| 2   | 7611501    | CLAMP D22 FE                                         |
| 3   | 7303501    | HOSE D22 L=2MT PLASTIC                               |
| 4   | 5058407LL  | LEVEL REGULATOR SUPPORT                              |
| 5   | 7661011    | LEVEL REGULATOR RL 40 2S 100/110V                    |
| 5   | 7661012    | LEVEL REGULATOR RL 40 2S 110/120V                    |
| 5   | 7661003    | LEVEL REGULATOR RL 30 2S 220/230V                    |
| 5   | 7661013    | LEVEL REGULATOR RL 40 2S 240V                        |
| 6   | 7816004    | SCREW TCEI M4 X 16                                   |
| 7   | 7614001    | CABLE-PRESS PG16 POLYAMIDE                           |
| 7   | 7614007    | CABLE-PRESS PG13,5                                   |
| 8   | 7552001    | CABLE WITH AUSTRALIAN PLUG                           |
| 8   | 7555001    | CABLE WITH SCHUKO PLUG                               |
| 8   | 7551001    | CABLE WITH USA PLUG 125V 15A                         |
| 8   | 7551003    | CABLE WITH USA PLUG 250V 20A                         |
| 8   | 7554001    | CABLE WITH ENGLISH PLUG                              |
| 9   | 5038407LL  | COMPLETE RELAY SUPPORT                               |
| 10  | 7635418    | RELAY 16A 110V 2 CONTACTS FASTON (from 22/04/04)     |
| 10  | 7635419    | RELAY 16A 220/230V 2 CONTACTS FASTON (from 22/04/04) |
| 10  | 7635420    | RELAY 16A 240V 2 CONTACTS FASTON (from 22/04/04)     |
| 10  | 7635403    | RELAY 30A 110V (up to 21/04/04)                      |
| 10  | 7635410    | RELAY 30A 220/230V (up to 21/04/04)                  |
| 10  | 7635401    | RELAY 30A 240V (up to 21/04/04)                      |
| 11  | 7826201    | SCREW TCI M4X10 UNI 6107 OT                          |
| 12  | 7826211    | SCREW TCI M4X30 UNI 6107 OT                          |
| 13  | 7612503R   | CLAMP 3 CONTACTS KL24/3                              |
| 14  | 7614003    | NUT PG16 POLYAMIDE                                   |
| 14  | 7614006    | NUT PG13,5                                           |
| 15  | 7663005R   | FILTER RC (from 22/04/04)                            |
| 16  | 7612512    | CLAMP 3 CONTACTS                                     |
| 17  | 5599917    | CONNECTING CABLE CLAMP                               |
|     |            |                                                      |
|     |            |                                                      |
|     |            |                                                      |
|     |            |                                                      |
|     |            |                                                      |
|     |            |                                                      |
|     |            |                                                      |
|     |            |                                                      |
|     |            |                                                      |
|     |            |                                                      |
|     |            |                                                      |
|     |            |                                                      |
|     |            |                                                      |
|     |            |                                                      |
|     |            |                                                      |
|     |            |                                                      |
|     |            |                                                      |
|     |            |                                                      |
|     |            |                                                      |
|     |            |                                                      |
|     |            |                                                      |
|     |            |                                                      |
|     |            |                                                      |
|     |            |                                                      |
|     |            |                                                      |

**TABLE 3**  
**Mod. R PM**



**TABLE 3A Mod. R DE**

| POS | CODE       | DESCRIPTION                                          |
|-----|------------|------------------------------------------------------|
| 1   | 5373603.01 | DRIP TRAY ABS                                        |
| 2   | 7611501    | CLAMP D22 FE                                         |
| 3   | 7303501    | HOSE D22 L=2MT PLASTIC                               |
| 4   | 5058407LL  | LEVEL REGULATOR SUPPORT                              |
| 5   | 7662612    | DOSAGE 1GR. FASTON 115V 3 PROBES                     |
| 5   | 7662616    | DOSAGE 1GR FASTON 220/230V 3 PROBES                  |
| 5   | 7662601    | DOSAGE 1GR. FASTON 240 3 PROBES                      |
| 6   | 7816004    | SCREW TCEI M4 X 16                                   |
| 7   | 7614001    | CABLE-PRESS PG16 POLYAMIDE                           |
| 7   | 7614007    | CABLE-PRESS PG13,5                                   |
| 8   | 7551001    | CABLE WITH USA PLUG 125V 15A                         |
| 8   | 7551003    | CABLE WITH USA PLUG 250V 20A                         |
| 8   | 7555001    | CABLE WITH SCHUKO PLUG                               |
| 8   | 7552001    | CABLE WITH AUSTRALIAN PLUG                           |
| 8   | 7554001    | CABLE WITH ENGLISH PLUG                              |
| 9   | 5038407LL  | COMPLETE RELAY SUPPORT                               |
| 10  | 7635418    | RELAY 16A 110V 2 CONTACTS FASTON (from 22/04/04)     |
| 10  | 7635419    | RELAY 16A 220/230V 2 CONTACTS FASTON (from 22/04/04) |
| 10  | 7635420    | RELAY 16A 240V 2 CONTACTS FASTON (from 22/04/04)     |
| 10  | 7635403    | RELAY 30A 110V (up to 21/04/04)                      |
| 10  | 7635410    | RELAY 30A 220/230V (up to 21/04/04)                  |
| 10  | 7635401    | RELAY 30A 240V (up to 21/04/04)                      |
| 11  | 7826201    | SCREW TCI M4X10 UNI 6107 OT                          |
| 12  | 7826211    | SCREW TCI M4X30 UNI 6107 OT                          |
| 13  | 7612503R   | CLAMP 3 CONTACTS KL24/3                              |
| 14  | 7614003    | NUT PG16 POLYAMIDE                                   |
| 14  | 7614006    | NUT PG13,5                                           |
| 15  | 7636603    | STRIP.LINE 7 POLES                                   |
| 16  | 7663559    | CONNECTING CABLE 8 POLES=0.7 MT                      |
| 17  | 7663005R   | FILTER RC (from 22/04/04)                            |
| 18  | 7612512    | CLAMP 3 CONTACTS                                     |
| 19  | 5599917    | CONNECTING CABLE CLAMP                               |
|     |            |                                                      |
|     |            |                                                      |
|     |            |                                                      |
|     |            |                                                      |
|     |            |                                                      |
|     |            |                                                      |
|     |            |                                                      |
|     |            |                                                      |
|     |            |                                                      |
|     |            |                                                      |
|     |            |                                                      |
|     |            |                                                      |
|     |            |                                                      |
|     |            |                                                      |
|     |            |                                                      |
|     |            |                                                      |

**TABLE 3A**  
**Mod. R DE**

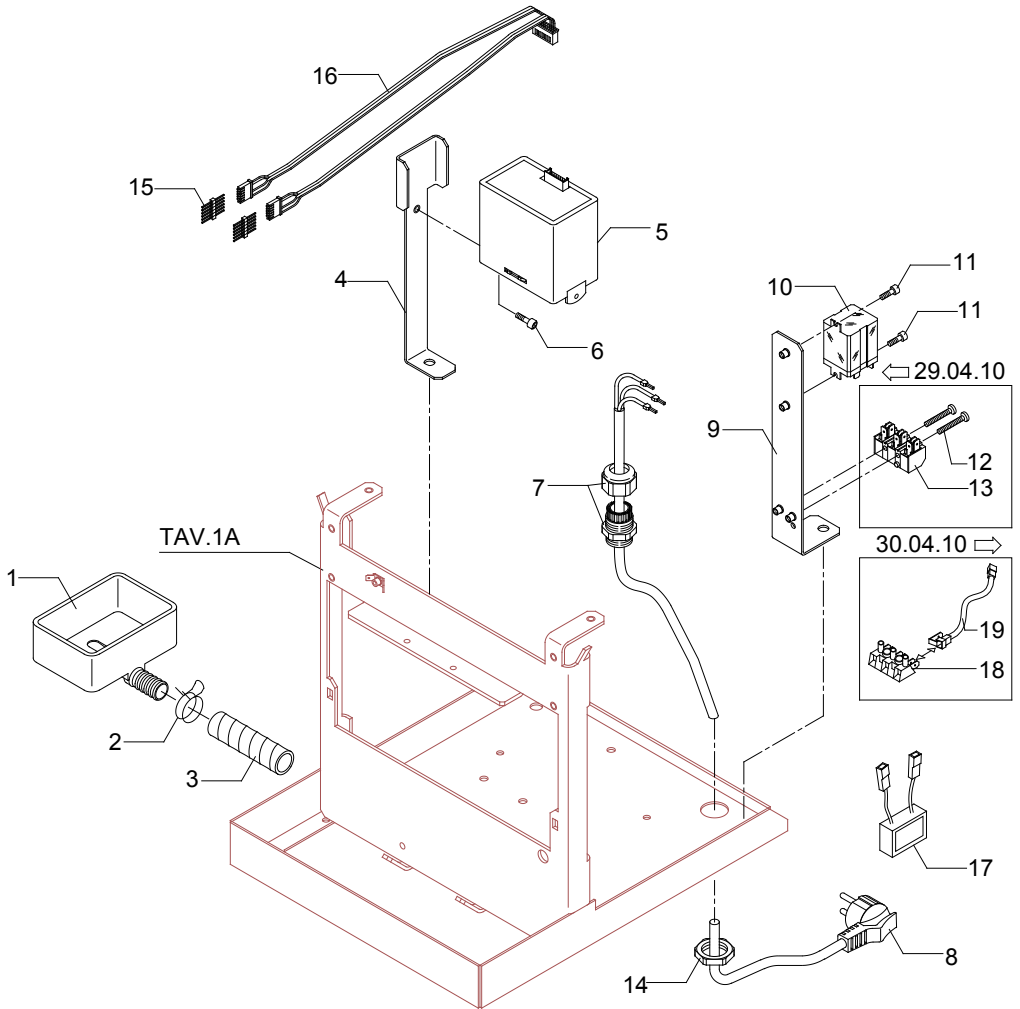
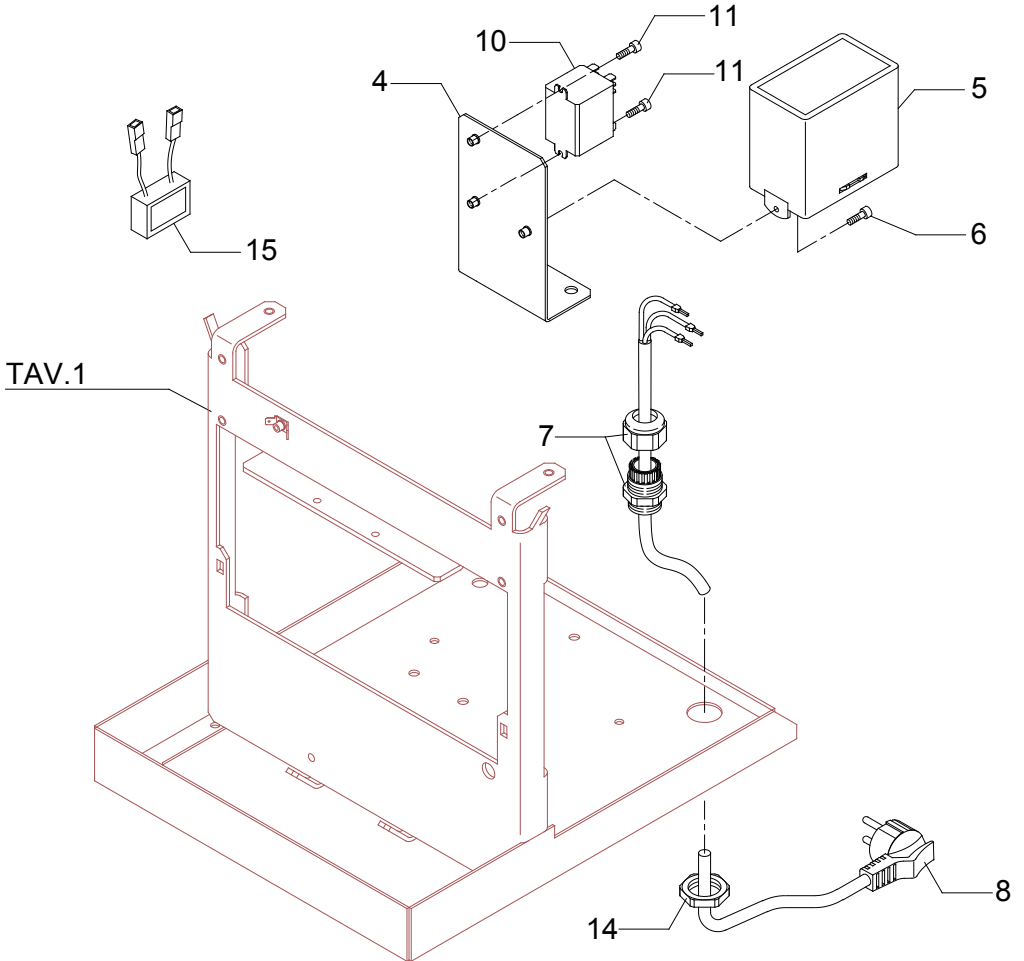


TABLE 3B Mod. S PM

| <b>POS</b> | <b>CODE</b> | <b>DESCRIPTION</b>                   |
|------------|-------------|--------------------------------------|
| 4          | 5038417LL   | LEVEL REGULATOR SUPPORT              |
| 5          | 7661011     | LEVEL REGULATOR RL 40 2S 100/110V    |
| 5          | 7661012     | LEVEL REGULATOR RL 40 2S 110/120V    |
| 5          | 7661003     | LEVEL REGULATOR RL 30 2S 220/230V    |
| 5          | 7661013     | LEVEL REGULATOR RL 40 2S 240V        |
| 6          | 7816004     | SCREW TCEI M4 X 16                   |
| 7          | 7614001     | CABLE-PRESS PG16 POLYAMIDE           |
| 7          | 7614007     | CABLE-PRESS PG13,5                   |
| 8          | 7552001     | CABLE WITH AUSTRALIAN PLUG           |
| 8          | 7555001     | CABLE WITH SCHUKO PLUG               |
| 8          | 7551001     | CABLE WITH USA PLUG 125V 15A         |
| 8          | 7551003     | CABLE WITH USA PLUG 250V 20A         |
| 8          | 7554001     | CABLE WITH ENGLISH PLUG              |
| 10         | 7635418     | RELAY 16A 110V 2 CONTACTS FASTON     |
| 10         | 7635419     | RELAY 16A 220/230V 2 CONTACTS FASTON |
| 10         | 7635420     | RELAY 16A 240V 2 CONTACTS FASTON     |
| 11         | 7826201     | SCREW TCI M4X10 UNI 6107 OT          |
| 14         | 7614003     | NUT PG16 POLYAMIDE                   |
| 14         | 7614006     | NUT PG13,5                           |
| 15         | 7663005R    | FILTER RC                            |
|            |             |                                      |
|            |             |                                      |
|            |             |                                      |
|            |             |                                      |
|            |             |                                      |
|            |             |                                      |
|            |             |                                      |
|            |             |                                      |
|            |             |                                      |
|            |             |                                      |
|            |             |                                      |
|            |             |                                      |
|            |             |                                      |
|            |             |                                      |
|            |             |                                      |
|            |             |                                      |
|            |             |                                      |
|            |             |                                      |
|            |             |                                      |
|            |             |                                      |
|            |             |                                      |
|            |             |                                      |
|            |             |                                      |
|            |             |                                      |
|            |             |                                      |
|            |             |                                      |



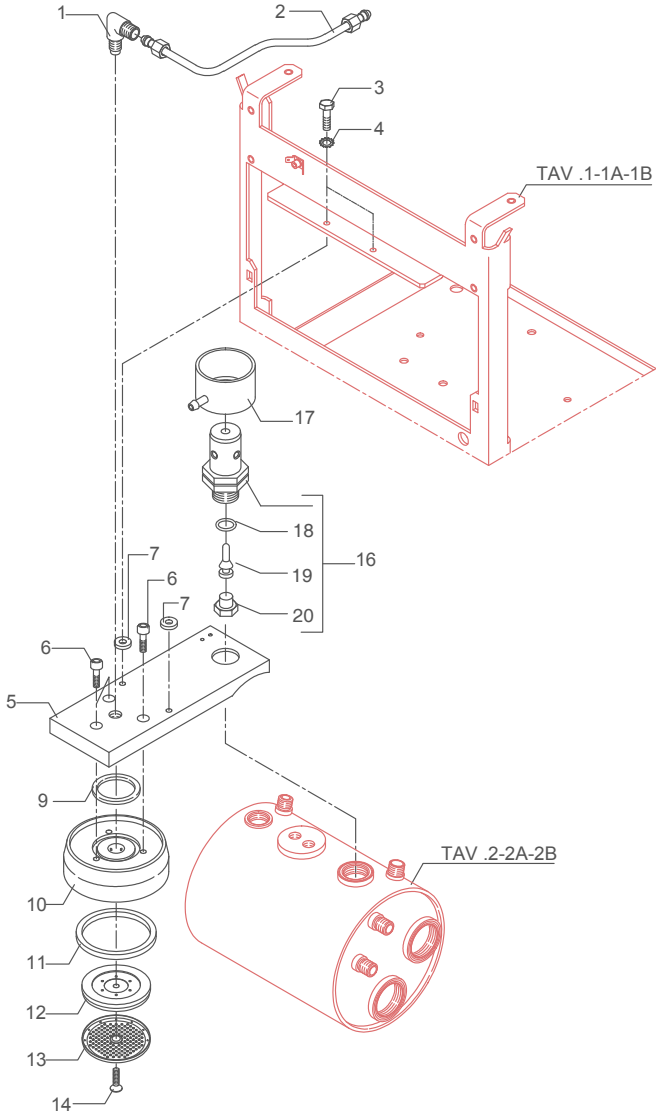
**TABLE 3B**  
**Mod. S PM**



TAV.1

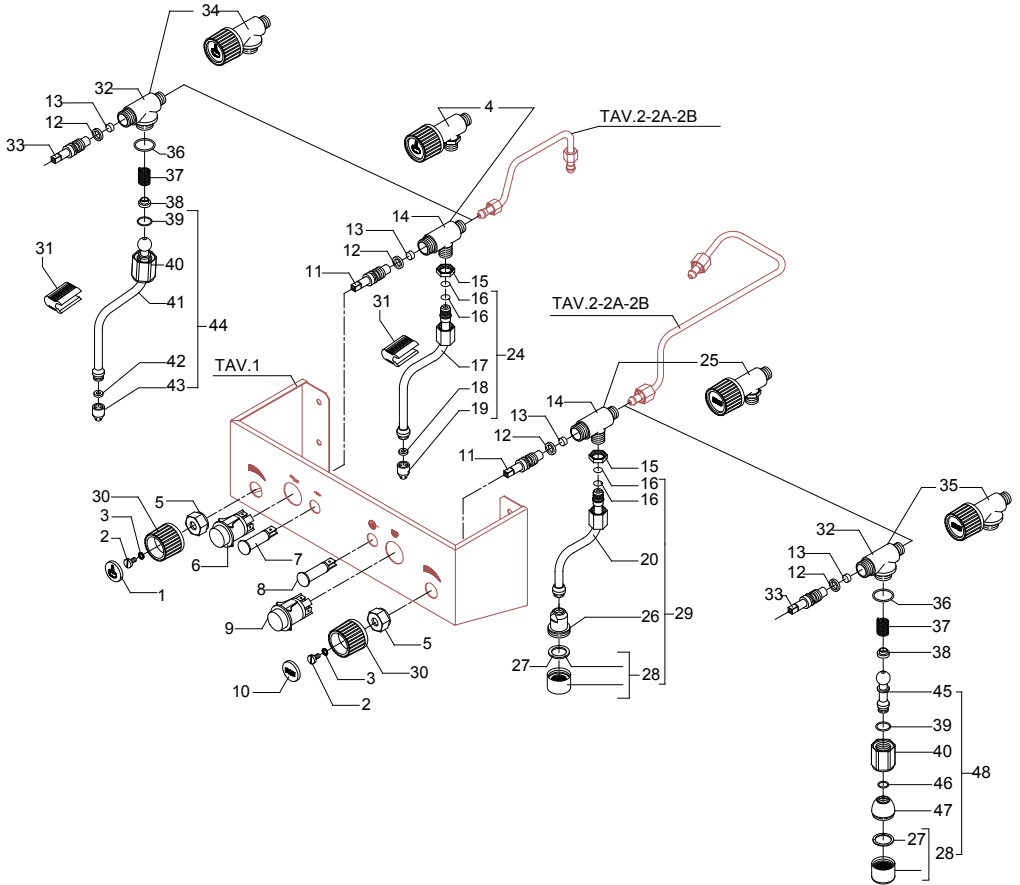


TABLE 4



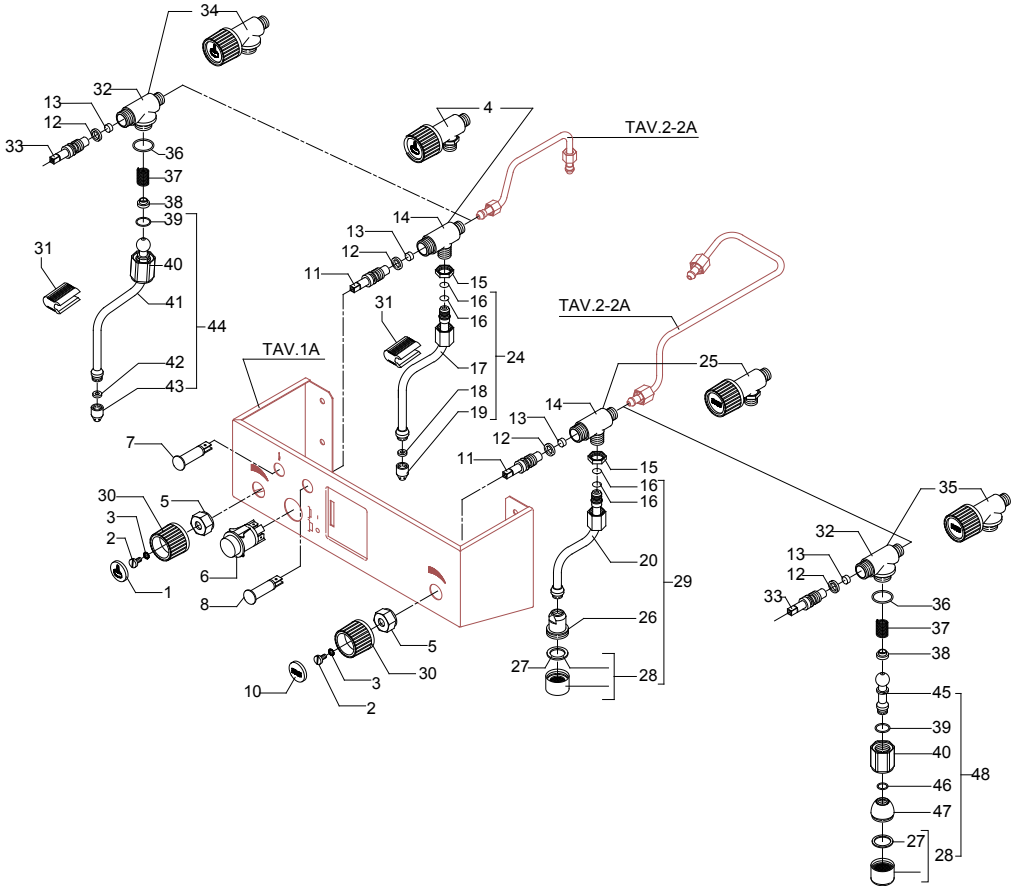
|                                 | <b>POS</b> | <b>CODE</b> | <b>DESCRIPTION</b>                      |
|---------------------------------|------------|-------------|-----------------------------------------|
| <b>TABLE 5 Mod. R PM - S PM</b> | 1          | 5373901     | STEAM PLUG D21                          |
|                                 | 2          | 7816205     | SCREW TCI M4X10 UNI 6107 OT             |
|                                 | 3          | 7814001     | WASHER Ø 4                              |
|                                 | 4          | 5974001.01  | COMPLETE STEAM TAP                      |
|                                 | 5          | 5221802CM   | NUT 3/8"G H11.5 OT CHROMED              |
|                                 | 6          | 7633303     | ROUND YELLOW SWITCH                     |
|                                 | 7          | 7633609     | ORANGE LAMP 110/240V                    |
|                                 | 8          | 7633610     | GREEN LAMP 110/240V                     |
|                                 | 9          | 7633304     | ROUND GREEN SWITCH                      |
|                                 | 10         | 5373902     | WATER PLUG                              |
|                                 | 11         | 5960505     | ASSEMBLY ADJUSTMENT ROD                 |
|                                 | 12         | 7496001     | OR GASKET D7.6 X 2.62 VITON             |
|                                 | 13         | 5493001     | GASKET D8 X 4 EPT 70SH                  |
|                                 | 14         | 5283001     | TAP BODY 3/8"G X M13 OT                 |
|                                 | 15         | 5221801     | NUT M13 H4 OT                           |
|                                 | 16         | 7496037     | OR GASKET D6 X 2 VITON                  |
|                                 | 17         | 5163017CM   | STEAM HOSE CHROMED                      |
|                                 | 18         | 5494001     | GASKET D8.5 X 5 X 3.2 PTFE              |
|                                 | 19         | 5226602     | STEAM HOSE TERMINAL CHROMED             |
|                                 | 20         | 5163018CM   | COMPLETE WATER HOSE CHROMED             |
|                                 | 24         | 5966503     | ASSEMBLY COMPLETE STEAM HOSE            |
|                                 | 25         | 5974002.01  | ASSEMBLY WATER TAP                      |
|                                 | 26         | 5225226CM   | STRAIGHT FITTING M22 X 1 H25 OT CHROMED |
|                                 | 27         | 5493003     | GASKET D20.5X15 H1.5 NBR 70SH           |
|                                 | 28         | 5226601TW   | WATER HOSE TERMINAL M22 CHROMED         |
|                                 | 29         | 5966504     | ASSEMBLY WATER HOSE                     |
|                                 | 30         | 5371801     | KNOB D32                                |
|                                 | 31         | 7371001     | INSULATING                              |
|                                 | 32         | 5283039     | TAP BODY 3/8"G X 3/8"G X M13 OT         |
|                                 | 33         | 5960505     | ASSEMBLY ADJUSTMENT ROD                 |
|                                 | 34         | 5974029.01  | COMPLETE STEAM TAP                      |
|                                 | 35         | 5974030.01  | ASSEMBLY WATER TAP                      |
|                                 | 36         | 7496072     | OR GASKET 121                           |
|                                 | 37         | 5471532     | SPRING                                  |
|                                 | 38         | 5190501     | COMPLETE CUP                            |
|                                 | 39         | 7496073     | OR GASKET 115 EP856                     |
|                                 | 40         | 5221872TW   | NUT 3/8"G                               |
|                                 | 41         | 5163151CM   | STEAM HOSE CHROMED                      |
|                                 | 42         | 5494001     | GASKET D8.5 X 5 X 3.2 PTFE              |
|                                 | 43         | 5226612CM   | TERMINAL 3 HOLES                        |
|                                 | 44         | 5966537     | ASSEMBLY COMPLETE STEAM HOSE 3 HOLES    |
|                                 | 45         | 5225607TW   | WATER HOSE CHROMED                      |
|                                 | 46         | 7496003     | OR GASKET 108 VITON                     |
|                                 | 47         | 5226610TW   | WATER HOSE TERMINAL D23.5X18 OT CHROMED |
|                                 | 48         | 5966531     | ASSEMBLY WATER HOSE                     |

**TABLE 5**  
**Mod. R PM - S PM**



| <b>POS</b> | <b>CODE</b> | <b>DESCRIPTION</b>                      |
|------------|-------------|-----------------------------------------|
| 1          | 5373901     | STEAM PLUG D21                          |
| 2          | 7816205     | SCREW TCI M4X10 UNI 6107 OT             |
| 3          | 7814001     | WASHER Ø 4                              |
| 4          | 5974001.01  | COMPLETE STEAM TAP                      |
| 5          | 5221802CM   | NUT 3/8" G H11.5 OT CHROMED             |
| 6          | 7633303     | ROUND YELLOW SWITCH                     |
| 7          | 7633609     | ORANGE LAMP 110/240V                    |
| 8          | 7633610     | GREEN LAMP 110/240V                     |
| 10         | 5373902     | WATER PLUG                              |
| 11         | 5960505     | ASSEMBLY ADJUSTMENT ROD                 |
| 12         | 7496001     | OR GASKET D7.6 X 2.62 VITON             |
| 13         | 5493001     | GASKET D8 X 4 EPT 70SH                  |
| 14         | 5283001     | TAP BODY 3/8" G X M13 OT                |
| 15         | 5221801     | NUT M13 H4 OT                           |
| 16         | 7496037     | OR GASKET D6 X 2 VITON                  |
| 17         | 5163017CM   | STEAM HOSE CHROMED                      |
| 18         | 5494001     | GASKET D8.5 X 5 X 3.2 PTFE              |
| 19         | 5226602     | STEAM HOSE TERMINAL CHROMED             |
| 20         | 5163018CM   | COMPLETE WATER HOSE CHROMED             |
| 24         | 5966503     | ASSEMBLY COMPLETE STEAM HOSE            |
| 25         | 5974002.01  | ASSEMBLY WATER TAP                      |
| 26         | 5225226CM   | STRAIGHT FITTING M22 X 1 H25 OT CHROMED |
| 27         | 5493003     | GASKET D20.5X15 H1.5 NBR 70SH           |
| 28         | 5226601TW   | WATER HOSE TERMINAL M22 CHROMED         |
| 29         | 5966504     | ASSEMBLY WATER HOSE                     |
| 30         | 5371801     | KNOB D32                                |
| 31         | 7371001     | INSULATING                              |
| 32         | 5283039     | TAP BODY 3/8" G X 3/8" G X M13 OT       |
| 33         | 5960505     | ASSEMBLY ADJUSTMENT ROD                 |
| 34         | 5974029.01  | COMPLETE STEAM TAP                      |
| 35         | 5974030.01  | ASSEMBLY WATER TAP                      |
| 36         | 7496072     | OR GASKET 121                           |
| 37         | 5471532     | SPRING                                  |
| 38         | 5190501     | COMPLETE CUP                            |
| 39         | 7496073     | OR GASKET 115 EP856                     |
| 40         | 5221872TW   | NUT 3/8" G                              |
| 41         | 5163151CM   | STEAM HOSE CHROMED                      |
| 42         | 5494001     | GASKET D8.5 X 5 X 3.2 PTFE              |
| 43         | 5226612CM   | TERMINAL 3 HOLES                        |
| 44         | 5966537     | ASSEMBLY COMPLETE STEAM HOSE 3 HOLES    |
| 45         | 5225607TW   | WATER HOSE CHROMED                      |
| 46         | 7496003     | OR GASKET 108 VITON                     |
| 47         | 5226610TW   | WATER HOSE TERMINAL D23.5X18 OT CHROMED |
| 48         | 5966531     | ASSEMBLY WATER HOSE                     |
|            |             |                                         |
|            |             |                                         |

**TABLE 5A**  
**Mod. R DE**

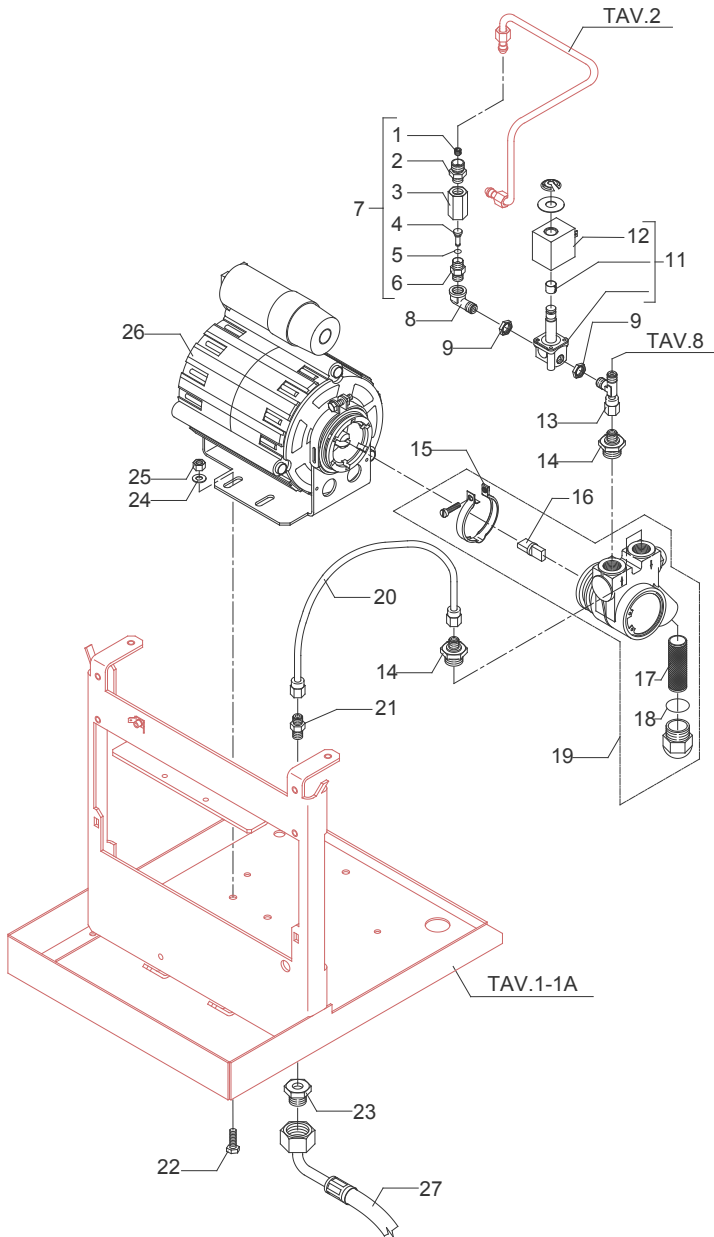


**TABLE 6 Mod. R DE MG - R P M MG**

| <b>POS</b> | <b>CODE</b> | <b>DESCRIPTION</b>                              |
|------------|-------------|-------------------------------------------------|
| 1          | 5223003     | JET M6 X 6 HOLE D0.8 OT                         |
| 2          | 5225233     | FITTING M12 ES.14 H22 HOLE M6 OT                |
| 3          | 5302015     | STRAIGHT FITTING 1/8" G OT                      |
| 4          | 5224002     | STUD D8.5 X 17.5 OT                             |
| 5          | 7496035     | OR GASKET D4.2 X 1.9 VITON                      |
| 6          | 7304502LLTR | STRAIGHT FITTING 1/8" G WITH COUNTERSINK        |
| 7          | 5965020     | ASSEMBLY COMPLETE CHECK VALVE                   |
| 8          | 7304507TR   | UNION ELBOW 1/8" G MF OT                        |
| 9          | 5221844     | NUT 1/8" G H3                                   |
| 11         | 7701111     | SOLENOID VALVE 2 WAY 115V PARKER (from 12/06)   |
| 11         | 7702310     | SOLENOID VALVE 2 WAY 230V PARKER (from 07/06)   |
| 11         | 7702409     | SOLENOID VALVE 2 WAY 240V PARKER (from 04/07)   |
| 12         | 7630327     | SOLENOID VALVE COIL 110V PARKER                 |
| 12         | 7630328     | SOLENOID VALVE COIL 220/230V PARKER             |
| 12         | 7630329     | SOLENOID VALVE COIL 240V PARKER                 |
| 13         | 5973055     | ASSEMBLY BANJO UNION                            |
| 14         | 5302032     | STRAIGHT FITTING 1/8" G X 3/8" NPT ES.22 H27 OT |
| 15         | 7611508     | PUMP CLAMP                                      |
| 16         | 7472401     | PUMP JOINT                                      |
| 17         | 7374005     | PROCON PUMP FILTER                              |
| 18         | 7496048     | OR GASKET FOR PUMP FILTER PROCON                |
| 19         | 7730506     | PUMP 100 L/H PA104X 1-2GR                       |
| 20         | 5194511LL   | HOSE D6 PTFE                                    |
| 21         | 7304502TR   | STRAIGHT FITTING 1/8" G                         |
| 22         | 7816417     | SCREW TE M6X16 UNI 5739 A2                      |
| 23         | 5302057     | FITTING 1/8" X 3/8" G OT                        |
| 24         | 7805004     | PLAIN WASHER D6 UNI 6592 FEZN                   |
| 25         | 7821403     | NUT M6 UNI 5587 OT                              |
| 26         | 7741001     | ELECTRIC MOTOR 100V                             |
| 26         | 7741102     | ELECTRIC MOTOR 110V 18MF                        |
| 26         | 7742206     | ELECTRIC MOTOR 220/240V 10MF                    |
| 27         | 7200504     | FLEXIBLE HOSE 3/8" L=1500 AISI 304              |
|            |             |                                                 |
|            |             |                                                 |
|            |             |                                                 |
|            |             |                                                 |
|            |             |                                                 |
|            |             |                                                 |
|            |             |                                                 |
|            |             |                                                 |
|            |             |                                                 |
|            |             |                                                 |
|            |             |                                                 |
|            |             |                                                 |
|            |             |                                                 |
|            |             |                                                 |
|            |             |                                                 |
|            |             |                                                 |
|            |             |                                                 |

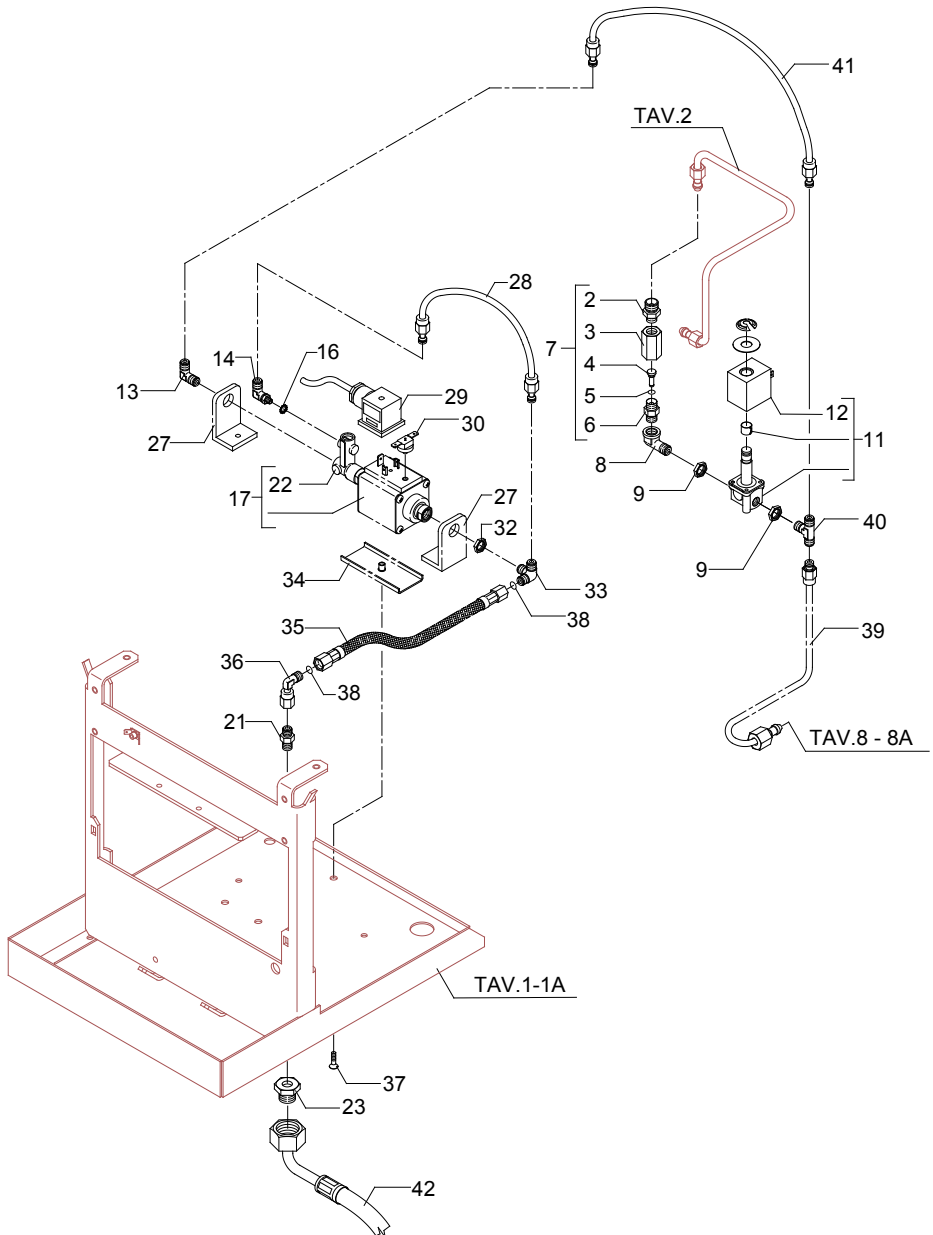


**TABLE 6**  
**Mod. R DE MG - R PM MG**



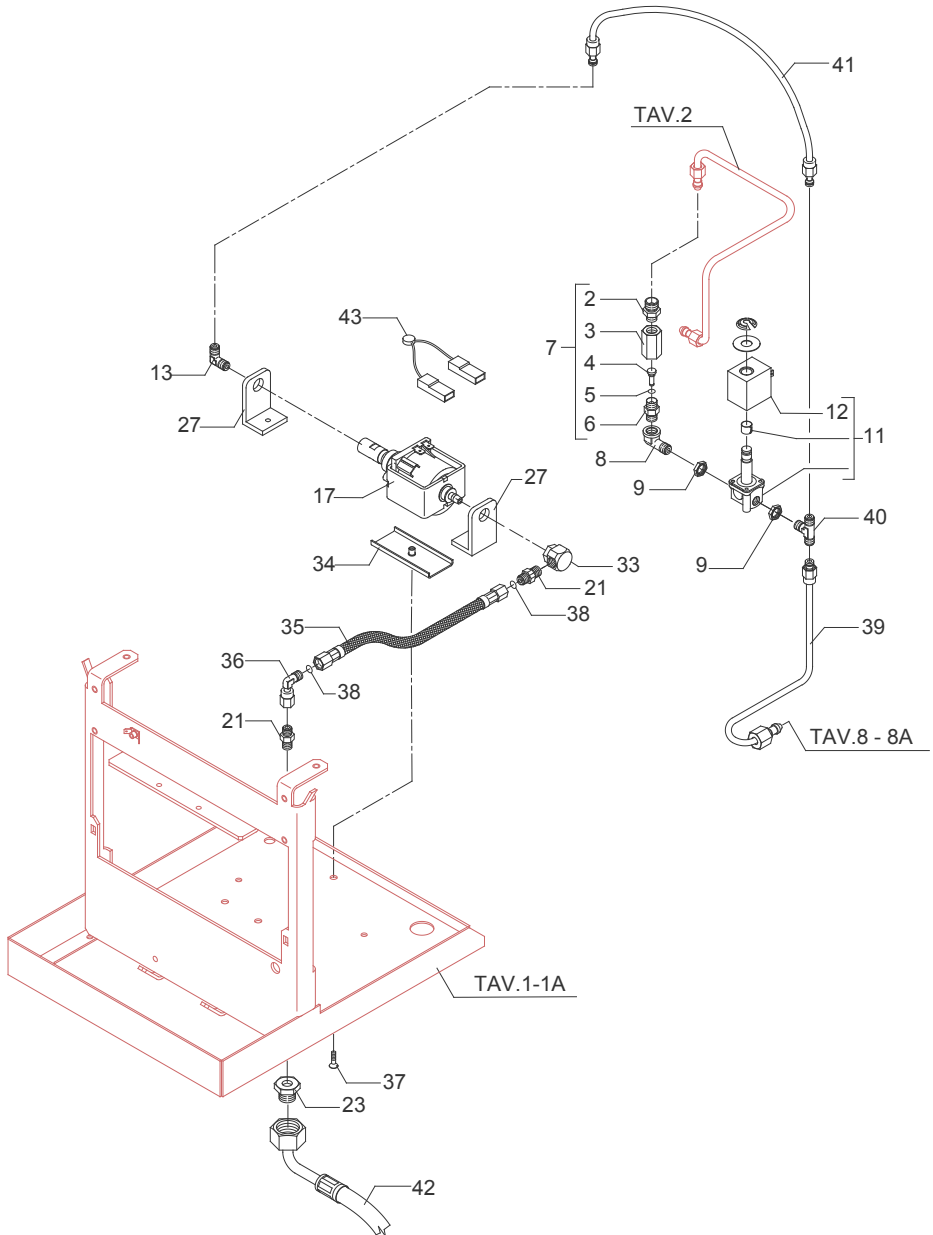
|                                                   | <b>POS</b> | <b>CODE</b>  | <b>DESCRIPTION</b>                            |
|---------------------------------------------------|------------|--------------|-----------------------------------------------|
| <b>TABLE 6B (up to 25.01.06) Mod. R DE - R PM</b> | 2          | 5302004      | STRAIGHT FITTING 1/8" G X M12 OT              |
|                                                   | 3          | 5302015      | STRAIGHT FITTING 1/8" G OT                    |
|                                                   | 4          | 5224002      | STUD D8.5 X 17.5 OT                           |
|                                                   | 5          | 7496035      | OR GASKET D4.2 X 1.9 VITON                    |
|                                                   | 6          | 7304502LLTR  | STRAIGHT FITTING 1/8" G WITH COUNTERSINK      |
|                                                   | 7          | 5965020      | ASSEMBLY COMPLETE CHECK VALVE                 |
|                                                   | 8          | 7304507TR    | UNION ELBOW 1/8" G MF OT                      |
|                                                   | 9          | 5221844      | NUT 1/8" G H3                                 |
|                                                   | 11         | 7701111      | SOLENOID VALVE 2 WAY 115V PARKER (from 12/06) |
|                                                   | 11         | 7702310      | SOLENOID VALVE 2 WAY 230V PARKER (from 07/06) |
|                                                   | 11         | 7702409      | SOLENOID VALVE 2 WAY 240V PARKER (from 04/07) |
|                                                   | 12         | 7630327      | SOLENOID VALVE COIL 110V PARKER               |
|                                                   | 12         | 7630328      | SOLENOID VALVE COIL 220/230V PARKER           |
|                                                   | 12         | 7630329      | SOLENOID VALVE COIL 240V PARKER               |
|                                                   | 13         | 7303001TR    | UNION ELBOW 1/8" G                            |
|                                                   | 14         | 5973050      | ASSEMBLY FITTING FOR PUMP                     |
|                                                   | 16         | 7814002      | NOTCHED WASHER D5 DIN 6798A A2                |
|                                                   | 17         | 5966007.01   | VIBRATION PUMP 100V                           |
|                                                   | 17         | 5966004.01   | VIBRATION PUMP 110V                           |
|                                                   | 17         | 5966005.01   | VIBRATION PUMP 220/230V                       |
|                                                   | 17         | 5966006.01   | VIBRATION PUMP 240V                           |
|                                                   | 21         | 7304502TR    | STRAIGHT FITTING 1/8" G                       |
|                                                   | 22         | 7303009      | BY-PASS FITTING                               |
|                                                   | 23         | 5302057      | FITTING 1/8" X 3/8" G OT                      |
|                                                   | 27         | 7470602      | VIBRATION-DAMPING                             |
|                                                   | 28         | 5194521.01LL | BY-PASS HOSE D6 PTFE                          |
|                                                   | 29         | 7631507      | CONNECTOR WITH DIODE AND CABLE L=550MM        |
|                                                   | 30         | 7634805      | THERMIC SAFETY DEVICE 250V 100°C AUTOMATIC    |
|                                                   | 30         | 7634806      | THERMIC SAFETY DEVICE 250V 100°C MANUAL       |
|                                                   | 30         | 7634802      | THERMIC SAFETY DEVICE 250V 80°C MANUAL        |
|                                                   | 32         | 5221844      | NUT 1/8" G H3                                 |
|                                                   | 33         | 7304505TR    | FITTING 3 WAY 1/8" X 1/8" X 1/8" G OT         |
|                                                   | 34         | 5344005      | ASSEMBLY PUMP FIXING PLATE                    |
|                                                   | 35         | 7200501      | FLEXIBLE HOSE 1/8" G L=240MM                  |
|                                                   | 36         | 5973053      | ASSEMBLY BANJO UNION                          |
|                                                   | 37         | 7817801      | SCREW TPS M4 X 16                             |
|                                                   | 38         | 7492004      | GASKET D8.5 X 4.2 X 1.5                       |
|                                                   | 39         | 5162109LL    | SOLENOID VALVE- SURPRESSION VALVE HOSE        |
|                                                   | 40         | 7304509TR    | FITTING                                       |
|                                                   | 41         | 5194511LL    | HOSE D6 PTFE                                  |
|                                                   | 42         | 7200504      | FLEXIBLE HOSE 3/8" L=1500 AISI 304            |
|                                                   |            |              |                                               |
|                                                   |            |              |                                               |
|                                                   |            |              |                                               |
|                                                   |            |              |                                               |
|                                                   |            |              |                                               |

**TABLE 6B (up to 25.01.06)**  
**Mod. R DE - R PM**



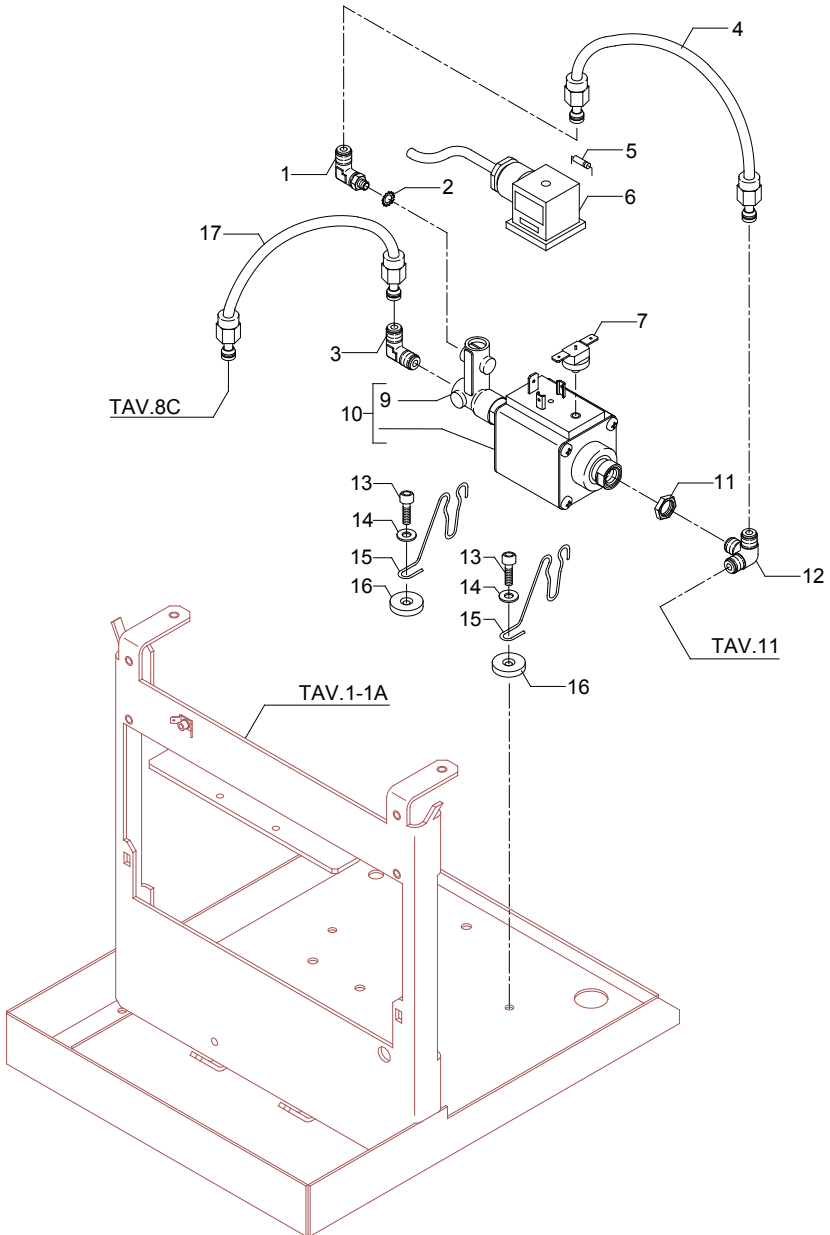
|                                                  | <b>POS</b> | <b>CODE</b> | <b>DESCRIPTION</b>                            |  |
|--------------------------------------------------|------------|-------------|-----------------------------------------------|--|
| <b>TABLE 6B (from 26.01.06) Mod. R DE - R PM</b> | 2          | 5302004     | STRAIGHT FITTING 1/8" G X M12 OT              |  |
|                                                  | 3          | 5302015     | STRAIGHT FITTING 1/8" G OT                    |  |
|                                                  | 4          | 5224002     | STUD D8.5 X 17.5 OT                           |  |
|                                                  | 5          | 7496035     | OR GASKET D4.2 X 1.9 VITON                    |  |
|                                                  | 6          | 7304502LLTR | STRAIGHT FITTING 1/8" G WITH COUNTERSINK      |  |
|                                                  | 7          | 5965020     | ASSEMBLY COMPLETE CHECK VALVE                 |  |
|                                                  | 8          | 7304507TR   | UNION ELBOW 1/8" G MF OT                      |  |
|                                                  | 9          | 5221844     | NUT 1/8" G H3                                 |  |
|                                                  | 11         | 7701111     | SOLENOID VALVE 2 WAY 115V PARKER (from 12/06) |  |
|                                                  | 11         | 7702310     | SOLENOID VALVE 2 WAY 230V PARKER (from 07/06) |  |
|                                                  | 11         | 7702409     | SOLENOID VALVE 2 WAY 240V PARKER (from 04/07) |  |
|                                                  | 12         | 7630327     | SOLENOID VALVE COIL 110V PARKER               |  |
|                                                  | 12         | 7630328     | SOLENOID VALVE COIL 220/230V PARKER           |  |
|                                                  | 12         | 7630329     | SOLENOID VALVE COIL 240V PARKER               |  |
|                                                  | 13         | 7303001TR   | UNION ELBOW 1/8" G                            |  |
|                                                  | 17         | 7731018     | VIBRATION PUMP EX5 100V C/OR                  |  |
|                                                  | 17         | 7731019     | VIBRATION PUMP EX5 120V WITH OR               |  |
|                                                  | 17         | 7731022     | VIBRATION PUMP EX5 220V 60HZ WITH OR          |  |
|                                                  | 17         | 7731020     | VIBRATION PUMP EX5 230V WITH OR               |  |
|                                                  | 17         | 7731021     | VIBRATION PUMP EX5 240V WITH OR               |  |
|                                                  | 21         | 7304502TR   | STRAIGHT FITTING 1/8" G                       |  |
|                                                  | 23         | 5302057     | FITTING 1/8" X 3/8" G OT                      |  |
|                                                  | 27         | 7470602     | VIBRATION-DAMPING                             |  |
|                                                  | 33         | 5225278     | PUMP FITTING                                  |  |
|                                                  | 34         | 5344005     | ASSEMBLY PUMP FIXING PLATE                    |  |
|                                                  | 35         | 7200501     | FLEXIBLE HOSE 1/8" G L=240MM                  |  |
|                                                  | 36         | 5973053     | ASSEMBLY BANJO UNION                          |  |
|                                                  | 37         | 7817801     | SCREW TPS M4 X 16                             |  |
|                                                  | 38         | 7492004     | GASKET D8.5 X 4.2 X 1.5                       |  |
|                                                  | 39         | 5162109LL   | SOLENOID VALVE- SURPRESSION VALVE HOSE        |  |
|                                                  | 40         | 7304509TR   | FITTING                                       |  |
|                                                  | 41         | 5194511LL   | HOSE D6 PTFE                                  |  |
|                                                  | 42         | 7200504     | FLEXIBLE HOSE 3/8" L=1500 AISI 304            |  |
|                                                  | 43         | 7634816     | THERMIC SAFETY DEVICE 100°C AUTOMATIC         |  |
|                                                  |            |             |                                               |  |
|                                                  |            |             |                                               |  |
|                                                  |            |             |                                               |  |
|                                                  |            |             |                                               |  |
|                                                  |            |             |                                               |  |
|                                                  |            |             |                                               |  |
|                                                  |            |             |                                               |  |
|                                                  |            |             |                                               |  |
|                                                  |            |             |                                               |  |
|                                                  |            |             |                                               |  |
|                                                  |            |             |                                               |  |
|                                                  |            |             |                                               |  |
|                                                  |            |             |                                               |  |
|                                                  |            |             |                                               |  |
|                                                  |            |             |                                               |  |
|                                                  |            |             |                                               |  |
|                                                  |            |             |                                               |  |
|                                                  |            |             |                                               |  |
|                                                  |            |             |                                               |  |
|                                                  |            |             |                                               |  |

TABLE 6B (from 26.01.06)  
Mod. R DE - R PM





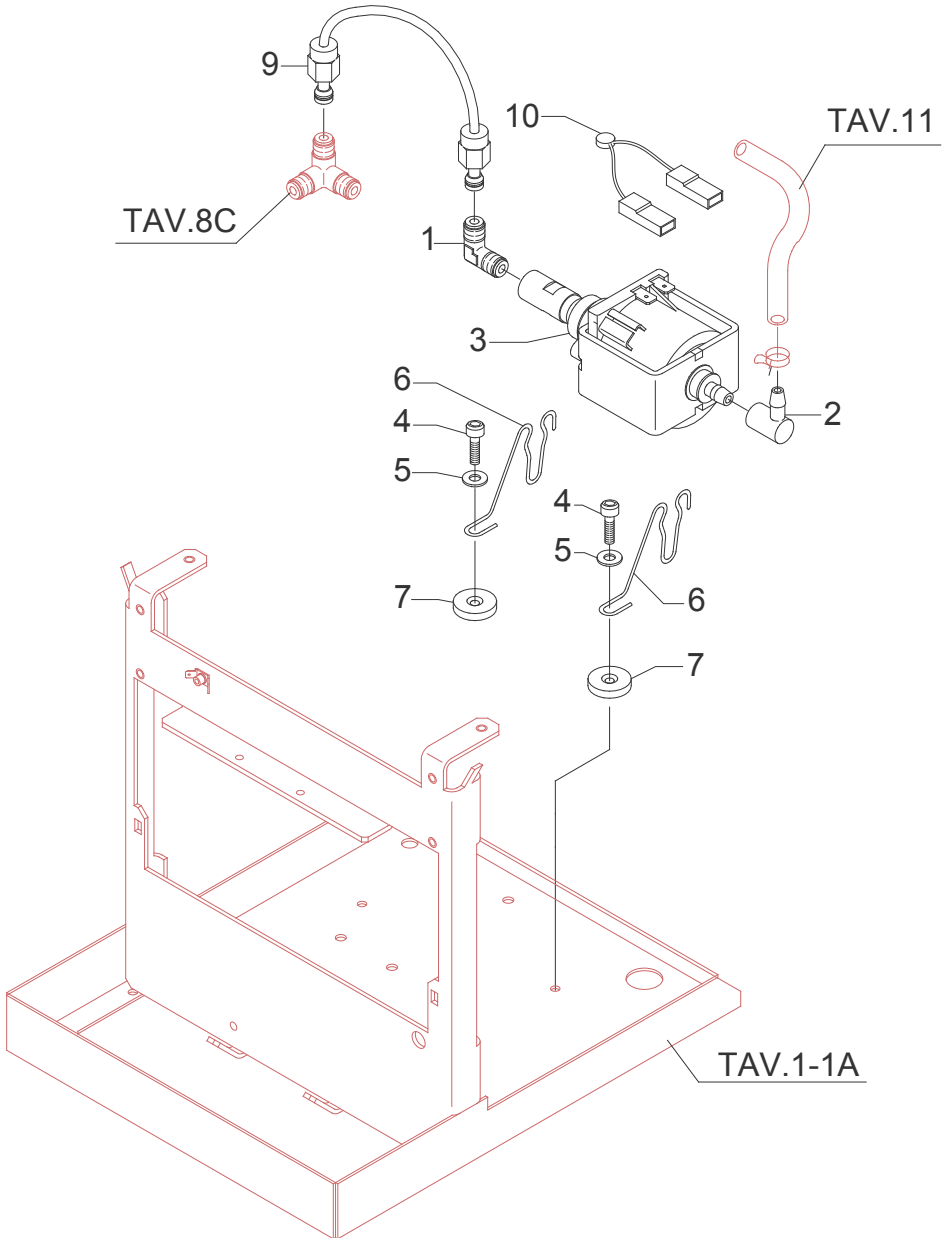
**TABLE 6C (up to 30.11.06)**  
**Mod. S PM**



|                                           | <b>POS</b>   | <b>CODE</b>                           | <b>DESCRIPTION</b>                   |
|-------------------------------------------|--------------|---------------------------------------|--------------------------------------|
| <b>TABLE 6C (from 01.12.06) Mod. S PM</b> | 1            | 7303001TR                             | UNION ELBOW 1/8" G                   |
|                                           | 2            | 7303006                               | RUBBER-HOLDER FITTING                |
|                                           | 3            | 7731018                               | VIBRATION PUMP EX5 100V C/OR         |
|                                           | 3            | 7731019                               | VIBRATION PUMP EX5 120V WITH OR      |
|                                           | 3            | 7731022                               | VIBRATION PUMP EX5 220V 60HZ WITH OR |
|                                           | 3            | 7731020                               | VIBRATION PUMP EX5 230V WITH OR      |
|                                           | 3            | 7731021                               | VIBRATION PUMP EX5 240V WITH OR      |
|                                           | 4            | 7806002                               | SCREW TCEI M4 X 12 UNI 5931 8.8 ZN   |
|                                           | 5            | 7805009                               | PLAIN WASHER D5 X 11 X 1             |
|                                           | 6            | 5471534                               | PUMP SUPPORT SHAPED SPRING AISI 302  |
| 7                                         | 5493023      | TAP GASKET EPT 70SH                   |                                      |
| 8                                         | 7499904LL    | ADHESIVE SPONGE 55X55X20              |                                      |
| 9                                         | 5194553.01LL | PUMP-SOLENOID VALVE HOSE              |                                      |
| 10                                        | 7634816      | THERMIC SAFETY DEVICE 100°C AUTOMATIC |                                      |
|                                           |              |                                       |                                      |
|                                           |              |                                       |                                      |
|                                           |              |                                       |                                      |
|                                           |              |                                       |                                      |
|                                           |              |                                       |                                      |
|                                           |              |                                       |                                      |
|                                           |              |                                       |                                      |
|                                           |              |                                       |                                      |
|                                           |              |                                       |                                      |
|                                           |              |                                       |                                      |
|                                           |              |                                       |                                      |
|                                           |              |                                       |                                      |
|                                           |              |                                       |                                      |
|                                           |              |                                       |                                      |
|                                           |              |                                       |                                      |
|                                           |              |                                       |                                      |
|                                           |              |                                       |                                      |
|                                           |              |                                       |                                      |
|                                           |              |                                       |                                      |
|                                           |              |                                       |                                      |
|                                           |              |                                       |                                      |
|                                           |              |                                       |                                      |
|                                           |              |                                       |                                      |

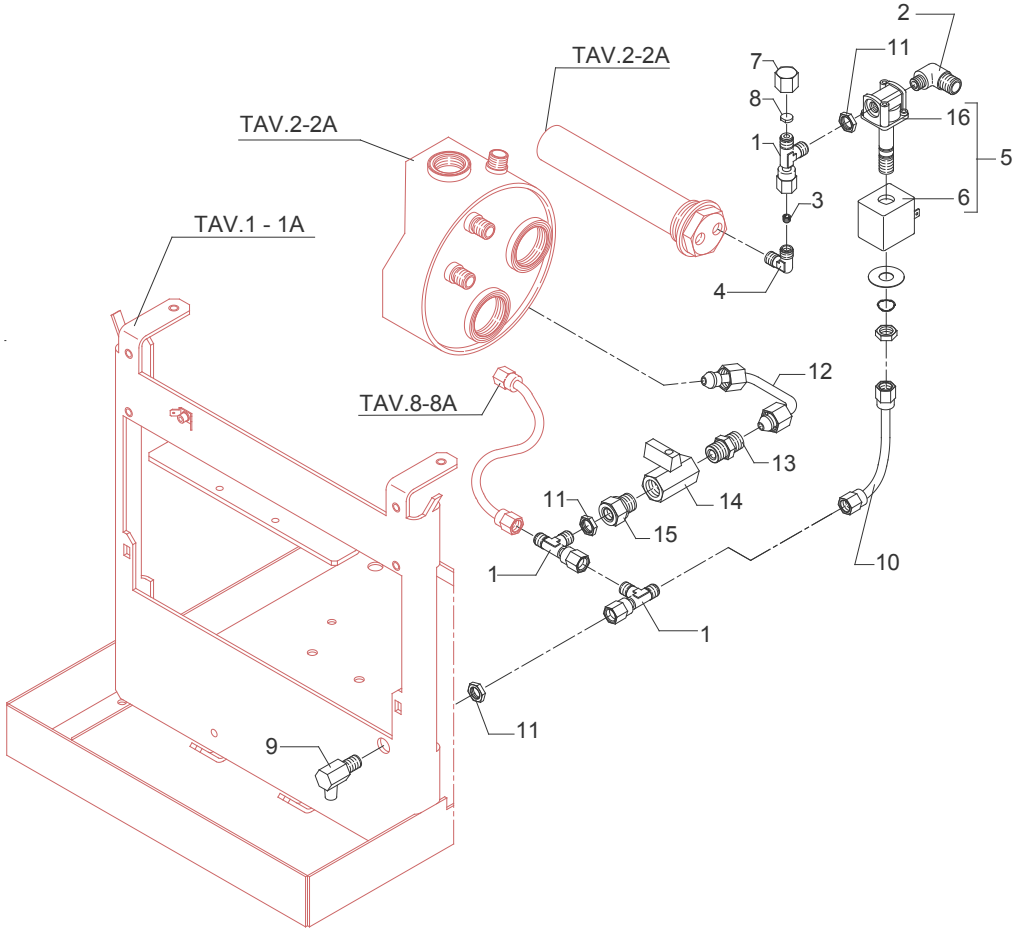


**TABLE 6C (from 01.12.06)**  
**Mod. S PM**



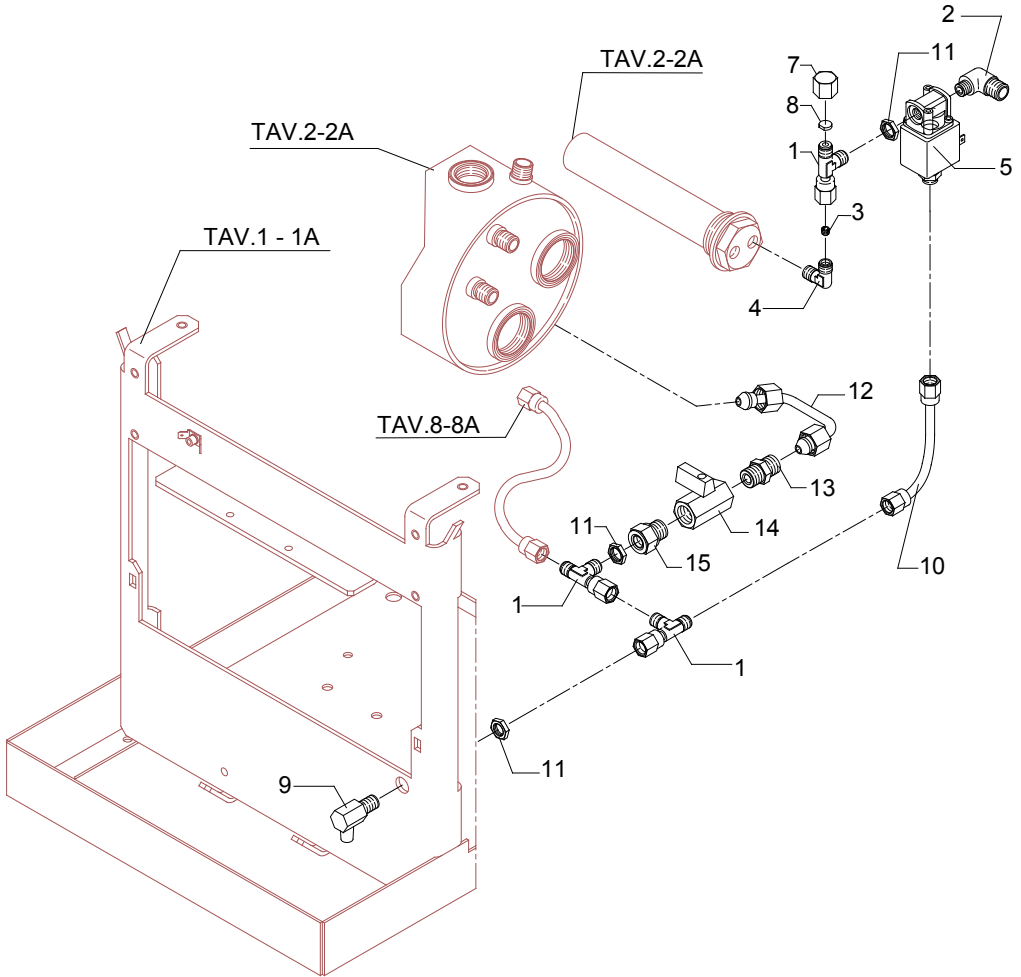
|                                                 | <b>POS</b> | <b>CODE</b>                        | <b>DESCRIPTION</b>                                    |
|-------------------------------------------------|------------|------------------------------------|-------------------------------------------------------|
| <b>TABLE 7 (up to 1.05.09) Mod. R DE - R PM</b> | 1          | 5973055                            | ASSEMBLY BANJO UNION                                  |
|                                                 | 2          | 5301504TR                          | UNION ELBOW 1/8" G X M12                              |
|                                                 | 3          | 5223013                            | JET M5 X 5 HOLE D1 OT                                 |
|                                                 | 4          | 7303001LL                          | UNION ELBOW 1/8" G                                    |
|                                                 | 5          | 7701112                            | SOLENOID VALVE 3 WAY 115V PARKER                      |
|                                                 | 5          | 7702311                            | SOLENOID VALVE 3 WAY 230V PARKER                      |
|                                                 | 5          | 7702410                            | SOLENOID VALVE 3 WAY 240V PARKER                      |
|                                                 | 6          | 7630332                            | SOLENOID VALVE COIL 115V PARKER                       |
|                                                 | 6          | 7630331                            | SOLENOID VALVE COIL 230V PARKER                       |
|                                                 | 6          | 7630330                            | SOLENOID VALVE COIL 240V PARKER                       |
|                                                 | 7          | 5221835                            | CAP NUT 1/8" G ES.14 H12 OT                           |
|                                                 | 8          | 5492019                            | GASKET D8 X 2 ASBESTOS FREE                           |
|                                                 | 9          | 5283018                            | DRAIN FITTING FOR SURPRESSION VALVE 1/8" G OT CHROMED |
|                                                 | 10         | 5194558LL                          | SOLENOID VALVE DRAIN HOSE                             |
|                                                 | 11         | 5221844                            | NUT 1/8" G H3                                         |
|                                                 | 12         | 5162040LL                          | BOILER DRAIN HOSE                                     |
| 13                                              | 5302019    | FITTING M13X1/4" G ES.15 H25.5 OT  |                                                       |
| 14                                              | 7451501    | BALL COCK FF 1/4" G                |                                                       |
| 15                                              | 7304506    | FITTING 1/4" X 1/8" G OT           |                                                       |
| 16                                              | 7703014    | SOLENOID VALVE WITHOUT COIL PARKER |                                                       |
|                                                 |            |                                    |                                                       |
|                                                 |            |                                    |                                                       |
|                                                 |            |                                    |                                                       |
|                                                 |            |                                    |                                                       |
|                                                 |            |                                    |                                                       |
|                                                 |            |                                    |                                                       |
|                                                 |            |                                    |                                                       |
|                                                 |            |                                    |                                                       |
|                                                 |            |                                    |                                                       |
|                                                 |            |                                    |                                                       |
|                                                 |            |                                    |                                                       |
|                                                 |            |                                    |                                                       |
|                                                 |            |                                    |                                                       |
|                                                 |            |                                    |                                                       |
|                                                 |            |                                    |                                                       |
|                                                 |            |                                    |                                                       |
|                                                 |            |                                    |                                                       |
|                                                 |            |                                    |                                                       |
|                                                 |            |                                    |                                                       |
|                                                 |            |                                    |                                                       |

**TABLE 7 (up to 11.05.09)**  
**Mod. R DE - R PM**



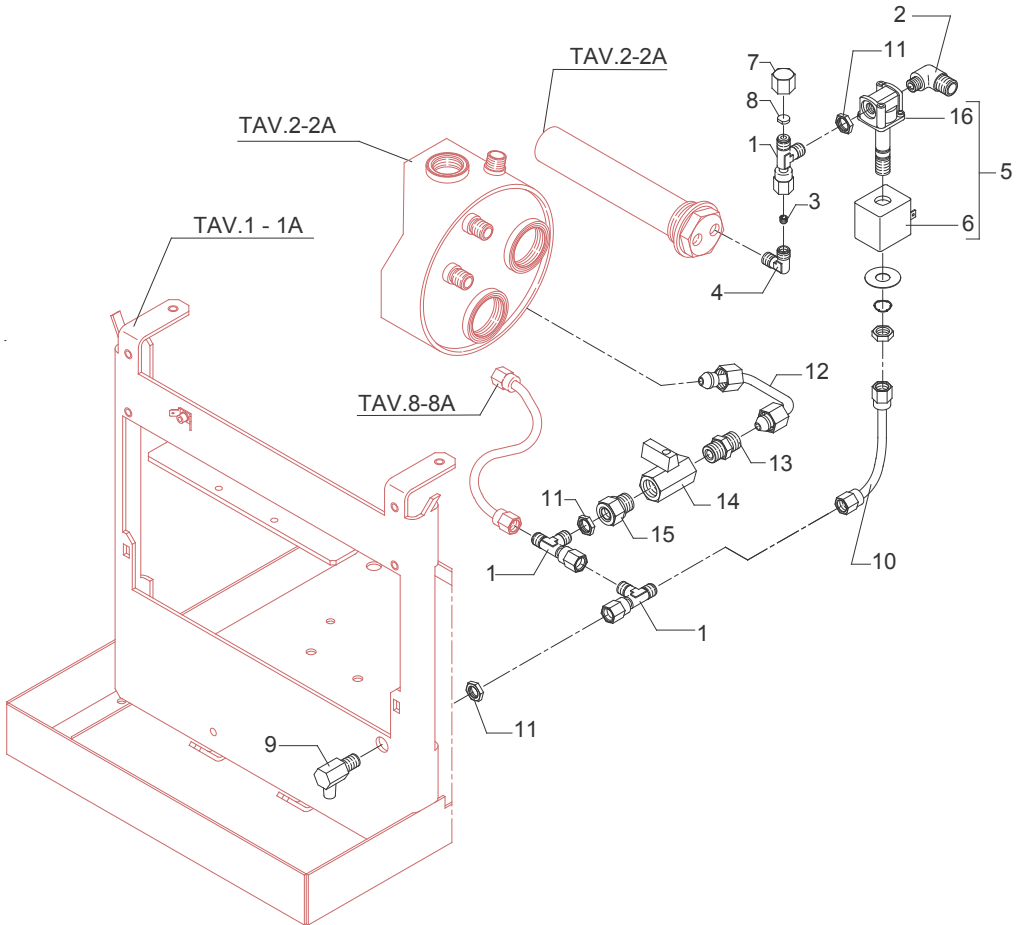


**TABLE 7 (up to 01.04.13)**  
**Mod. R DE - R PM**





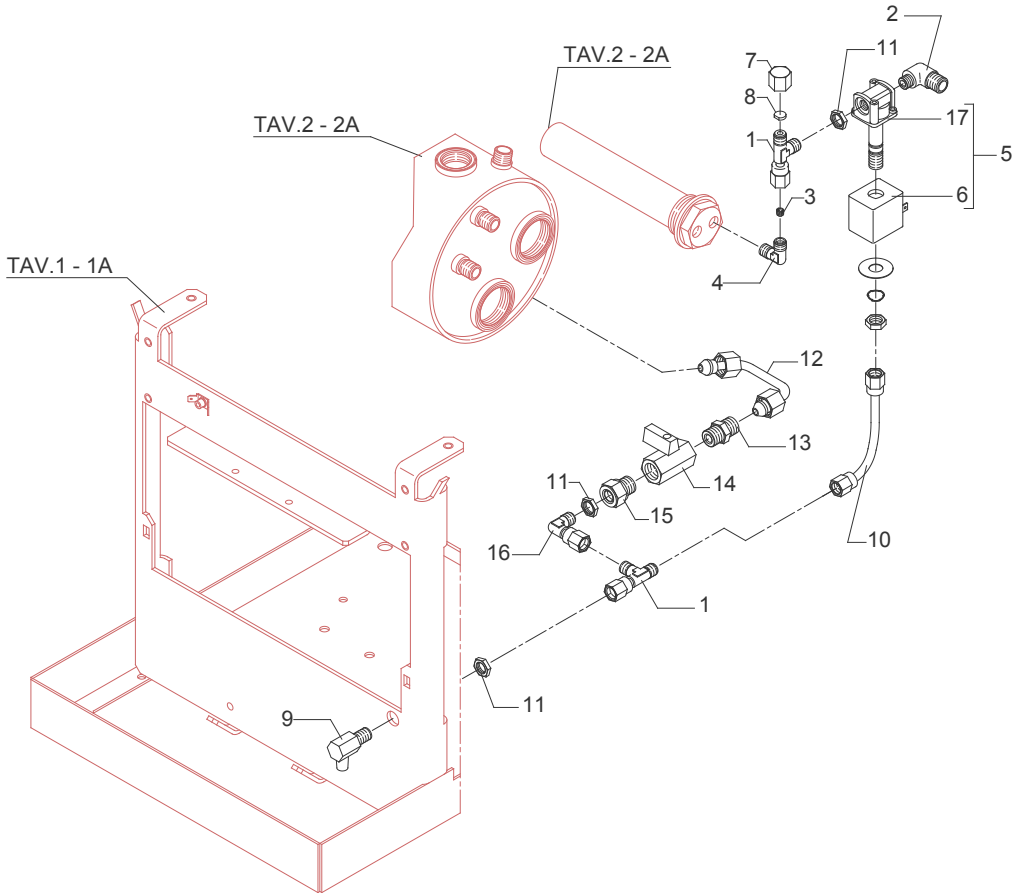
**TABLE 7 (from 02.04.13)**  
**Mod. R DE - R PM**





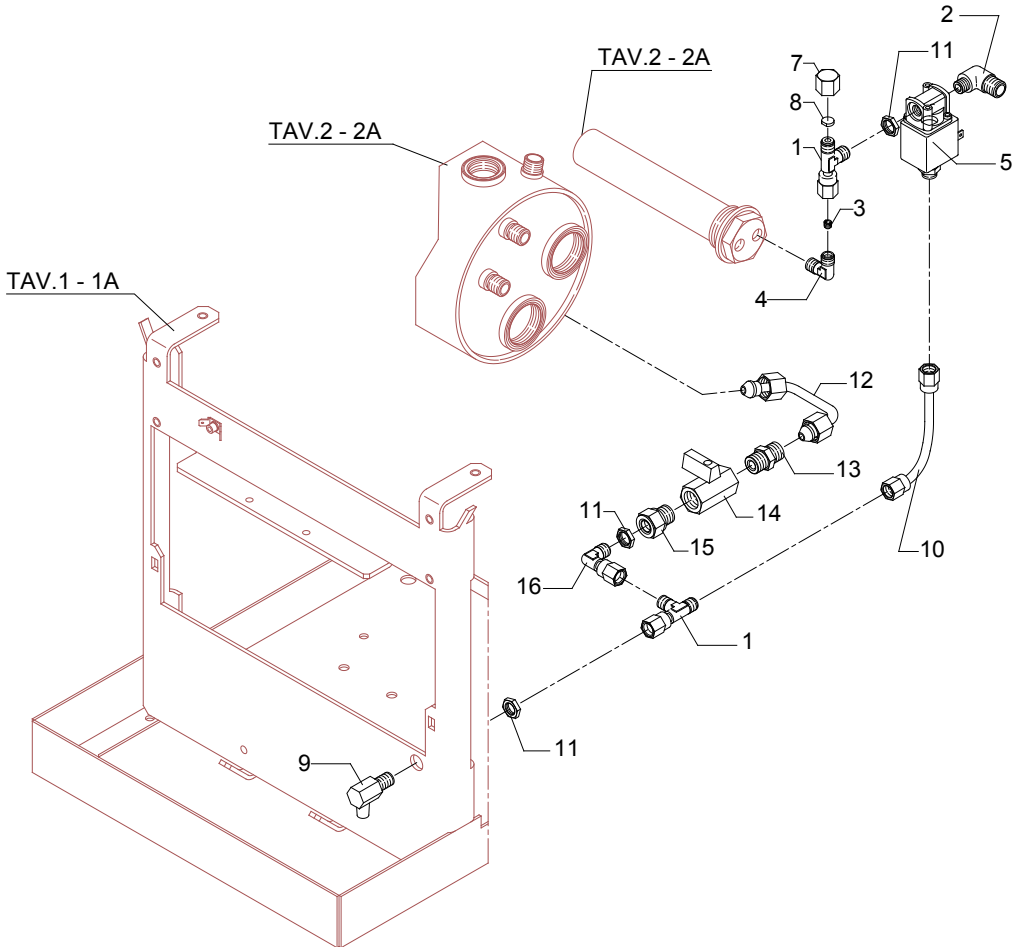


**TABLE 7A (up to 10.05.09)**  
**Mod. S PM**



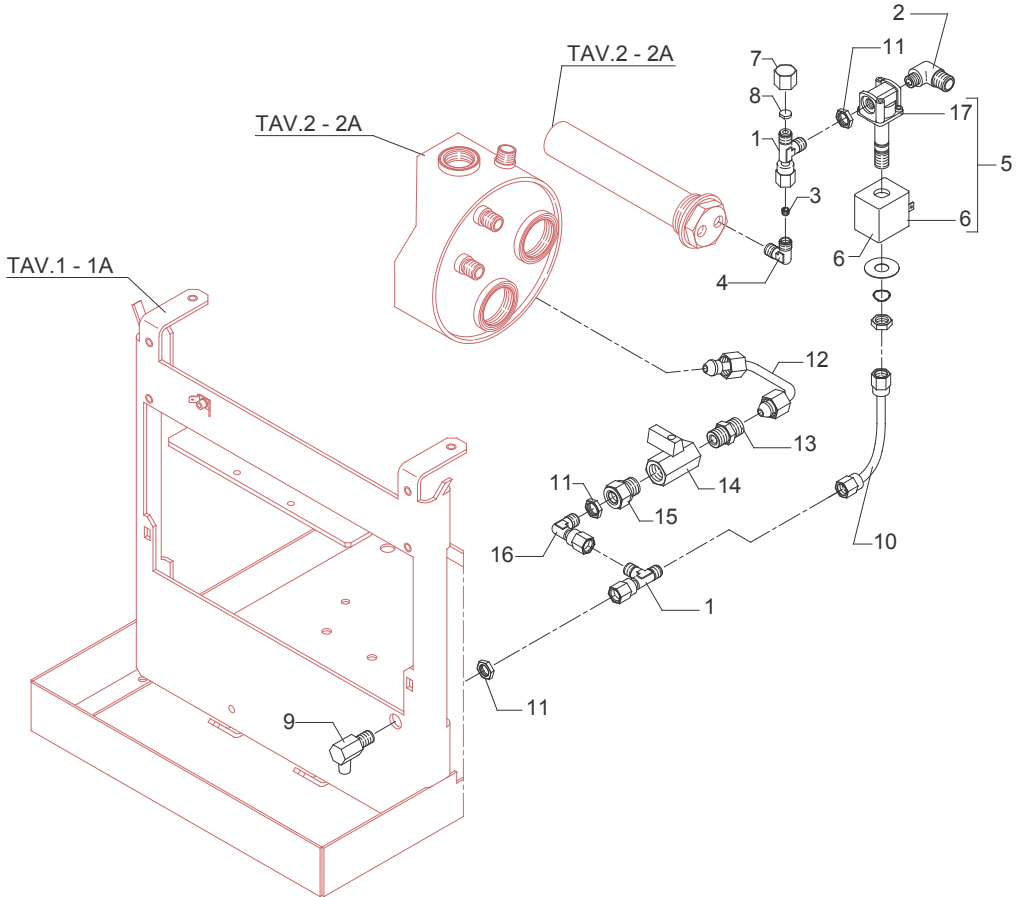


**TABLE 7A (up to 01.04.13)**  
**Mod. S PM**



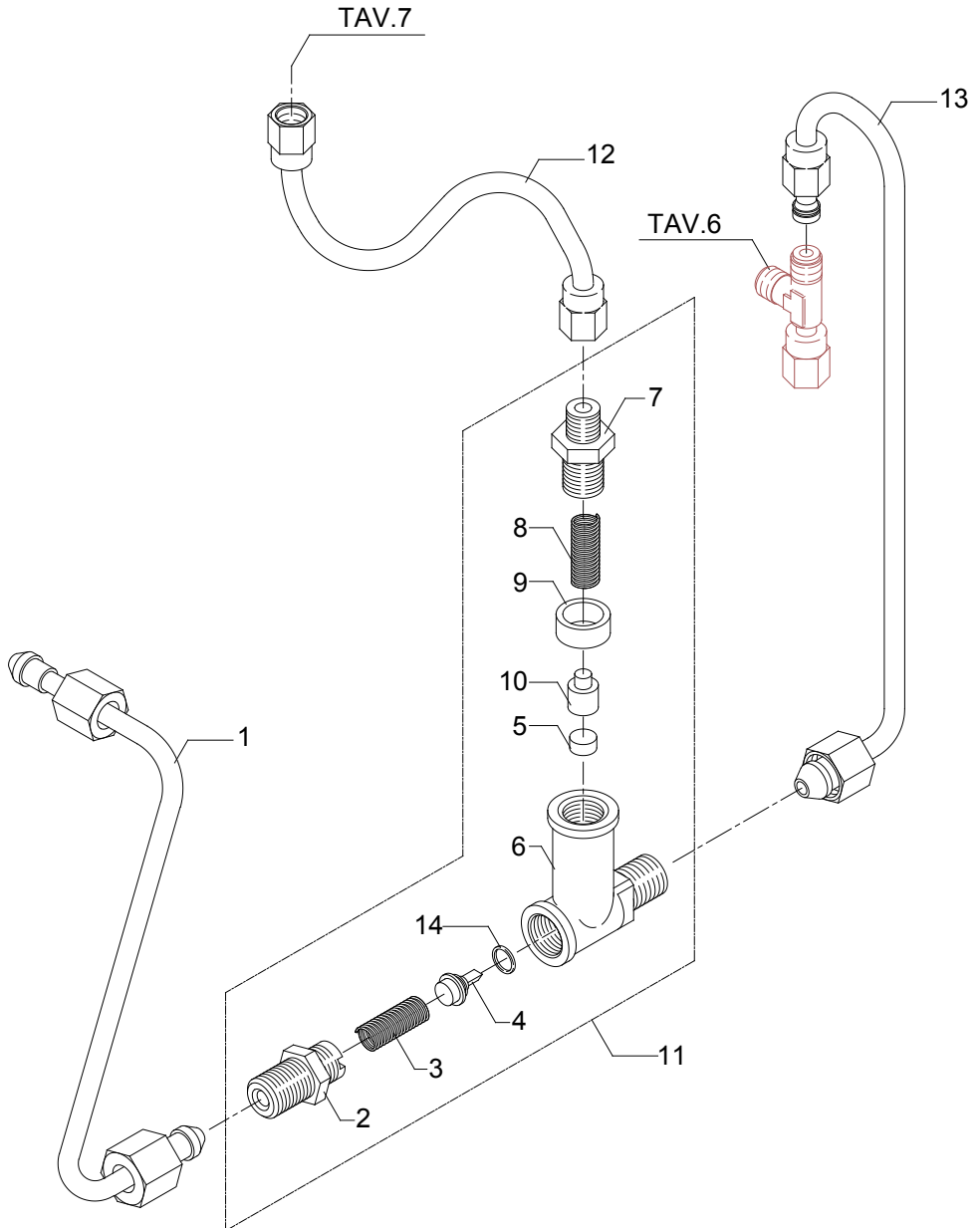


**TABLE 7A (from 02.04.13)**  
**Mod. S PM**





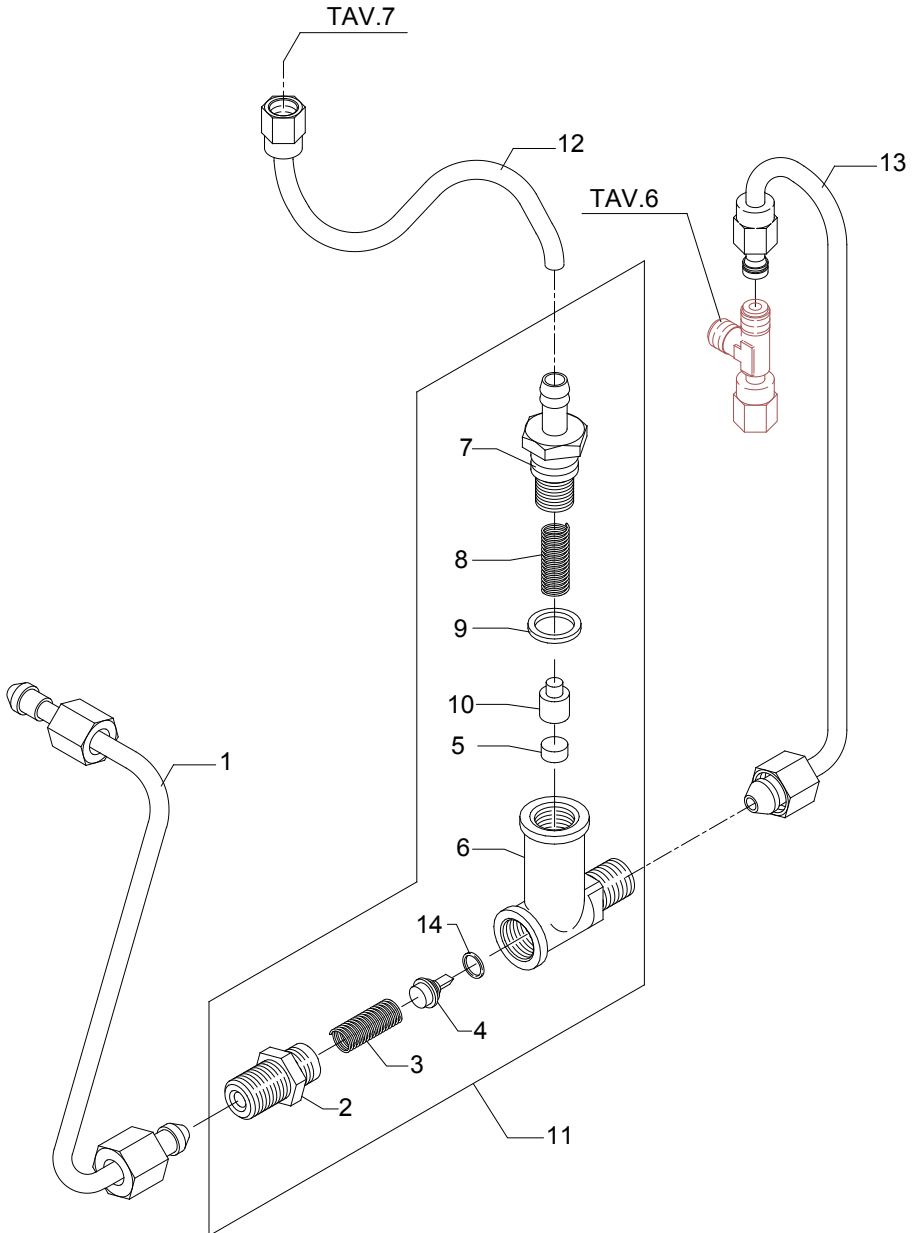
**TABLE 8 (up to 31.01.10)**  
**Mod. R PM MG**





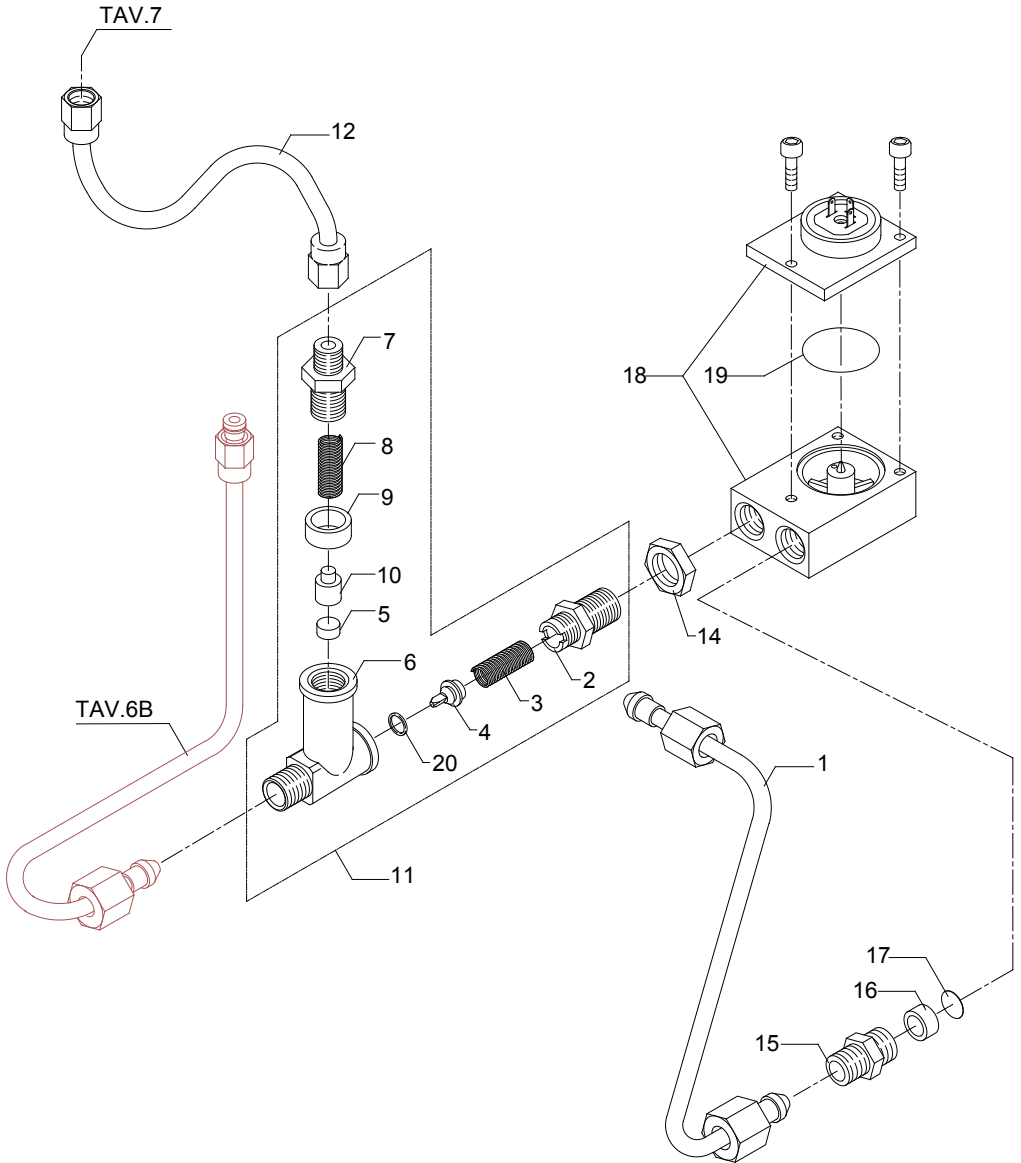


**TABLE 8 (from 01.02.10)**  
**Mod. R PM MG**



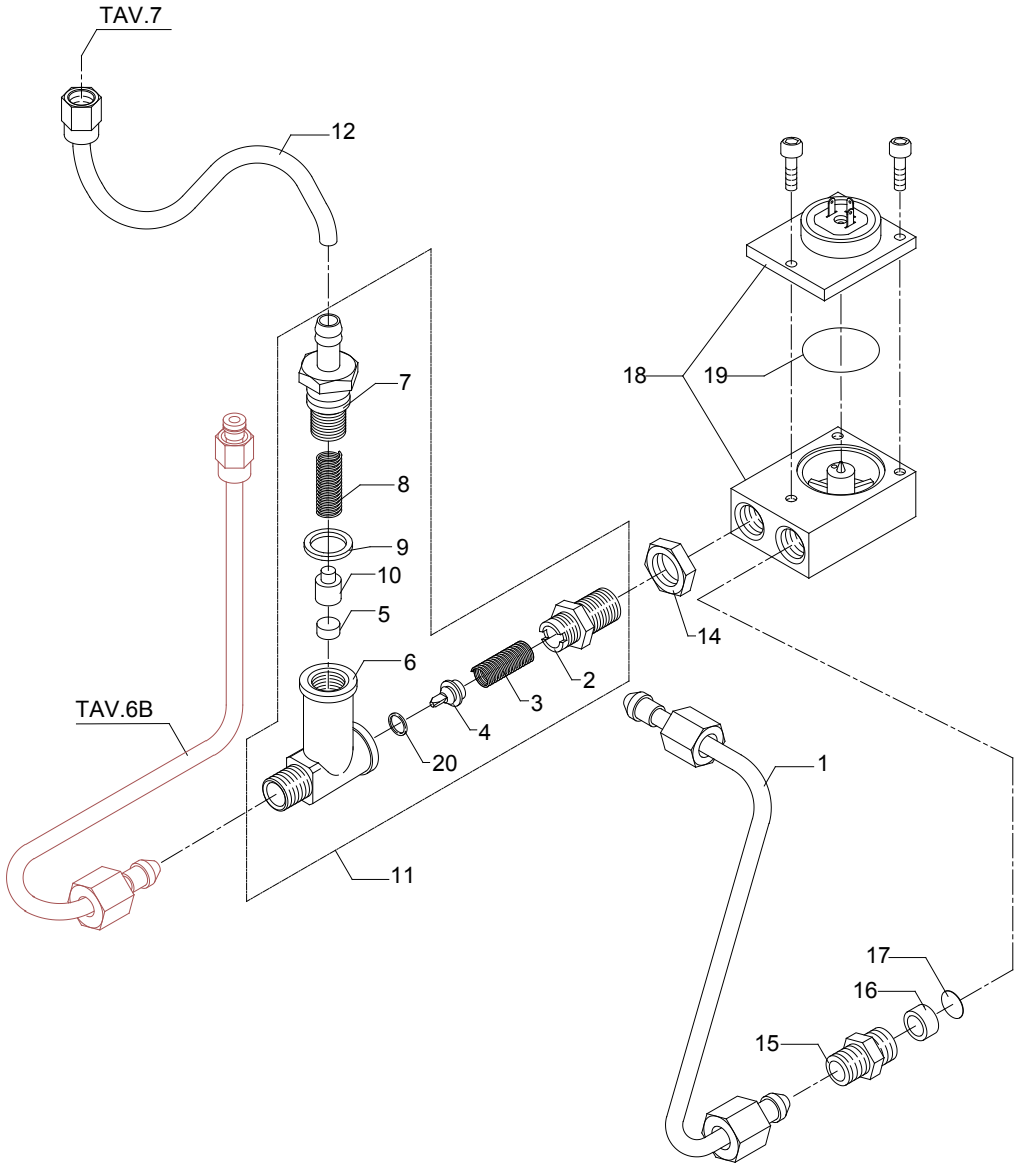


**TABLE 8A (up to 31.01.10)**  
**Mod. R DE**



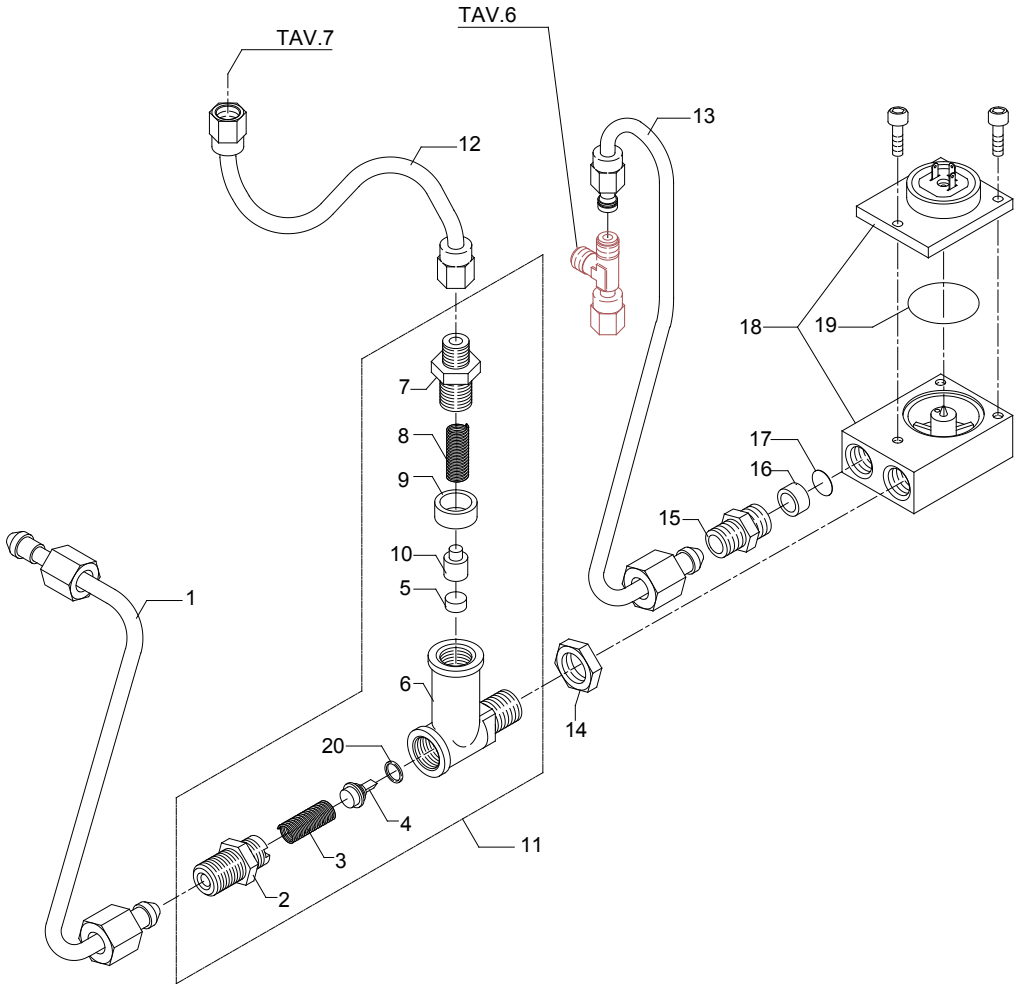


**TABLE 8A (from 01.02.10)**  
**Mod. R DE**





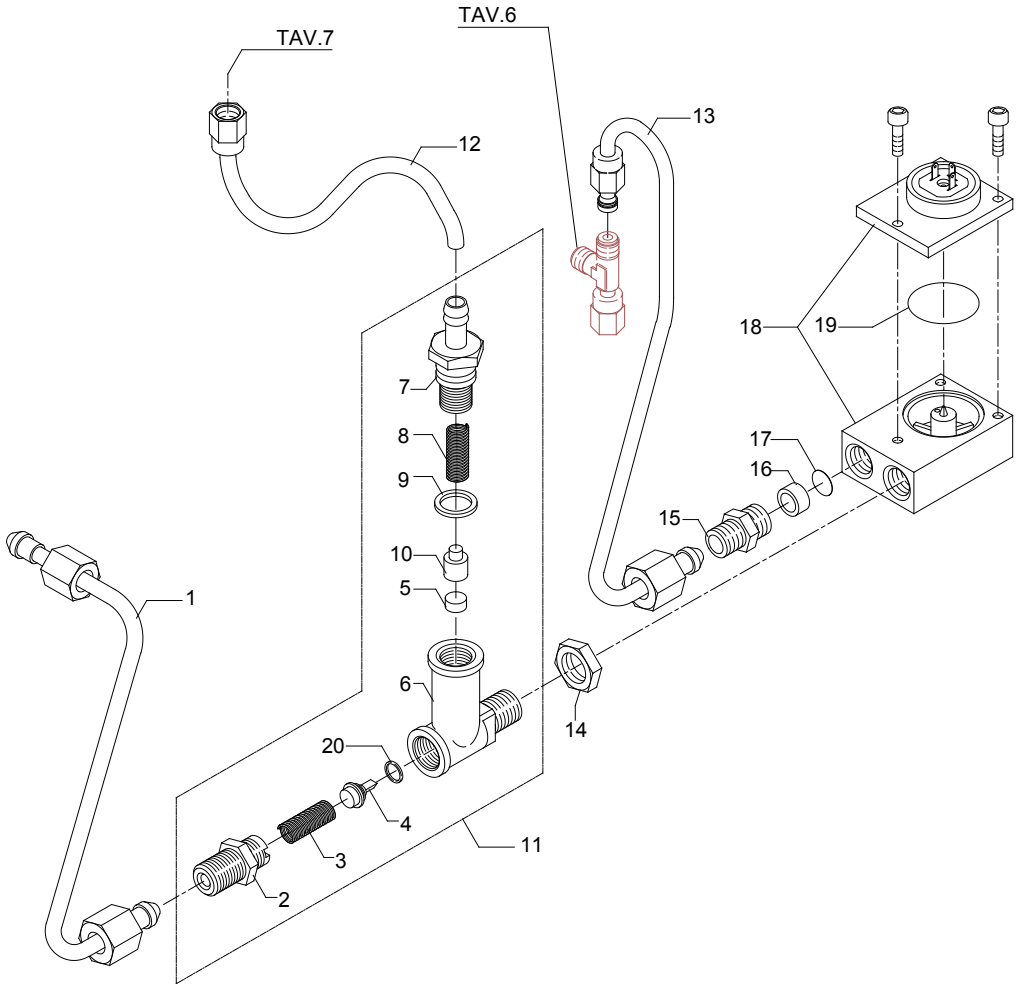
**TABLE 8B (up to 31.01.10)**  
**Mod. R DE MG**





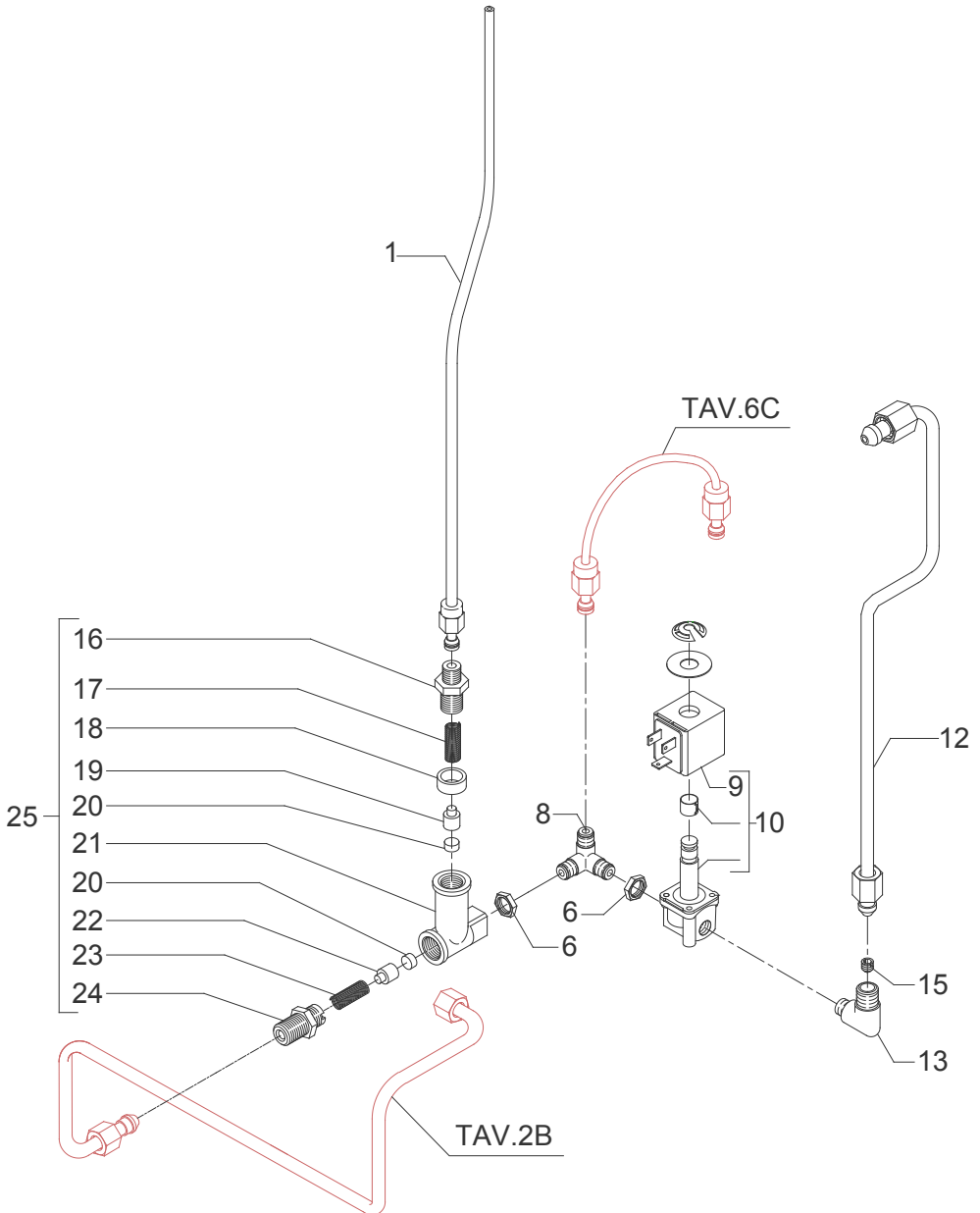


**TABLE 8B (from 01.02.10)**  
**Mod. R DE MG**



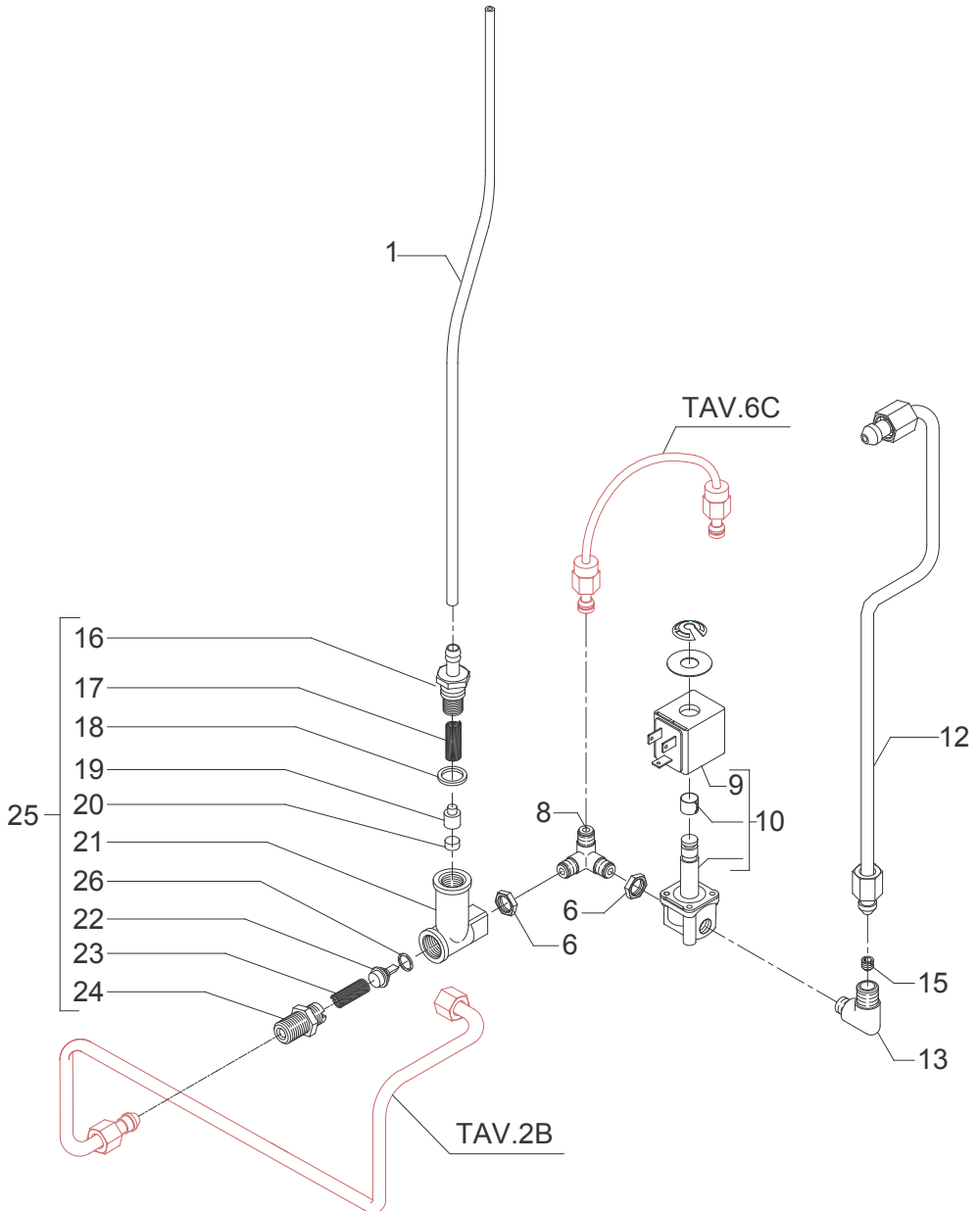
|                                            | <b>POS</b> | <b>CODE</b> | <b>DESCRIPTION</b>                  |  |
|--------------------------------------------|------------|-------------|-------------------------------------|--|
| <b>TABLE 8C (up to 31.01.10) Mod. S PM</b> | 1          | 5194542LL   | DRAIN HOSE L=700MM SILICONE         |  |
|                                            | 6          | 5221844     | NUT 1/8"G H3                        |  |
|                                            | 8          | 7304505TR   | FITTING 3 WAY 1/8"G OT              |  |
|                                            | 9          | 7630327     | SOLENOID VALVE COIL 110V PARKER     |  |
|                                            | 9          | 7630328     | SOLENOID VALVE COIL 220/230V PARKER |  |
|                                            | 9          | 7630329     | SOLENOID VALVE COIL 240V PARKER     |  |
|                                            | 10         | 7701111     | SOLENOID VALVE 2 WAY 115V PARKER    |  |
|                                            | 10         | 7702310     | SOLENOID VALVE 2 WAY 230V PARKER    |  |
|                                            | 10         | 7702409     | SOLENOID VALVE 2 WAY 240V PARKER    |  |
|                                            | 12         | 5162245LL   | BOILER LOAD HOSE                    |  |
|                                            | 13         | 5301504TR   | UNION ELBOW 1/8"G X M12             |  |
|                                            | 15         | 5223004     | JET M6 X 6 HOLE D1                  |  |
|                                            | 16         | 5302016     | STRAIGHT FITTING 1/8"XM12           |  |
|                                            | 17         | 5471506.01  | CALIBRATED SPRING D1.1 H32 AISI 302 |  |
|                                            | 18         | 5222201     | SPACER D16X12.2 H6.7 OT             |  |
|                                            | 19         | 5224609     | GASKET-HOLDER D5.3                  |  |
|                                            | 20         | 5493001     | GASKET D8X4 EPT 70SH                |  |
|                                            | 21         | 5283027R    | SURPRESSION VALVE BODY BZ02/99 (R)  |  |
|                                            | 22         | 5224610     | GASKET-HOLDER D6.2 OT               |  |
|                                            | 23         | 5471505     | SPRING D0.45 H22 AISI302            |  |
|                                            | 24         | 5302017TP   | STRAIGHT FITTING M12                |  |
|                                            | 25         | 5965036.01  | ASSEMBLY SURPRESSION VALVE          |  |
|                                            |            |             |                                     |  |
|                                            |            |             |                                     |  |
|                                            |            |             |                                     |  |
|                                            |            |             |                                     |  |
|                                            |            |             |                                     |  |
|                                            |            |             |                                     |  |
|                                            |            |             |                                     |  |
|                                            |            |             |                                     |  |
|                                            |            |             |                                     |  |
|                                            |            |             |                                     |  |
|                                            |            |             |                                     |  |
|                                            |            |             |                                     |  |
|                                            |            |             |                                     |  |
|                                            |            |             |                                     |  |
|                                            |            |             |                                     |  |
|                                            |            |             |                                     |  |
|                                            |            |             |                                     |  |
|                                            |            |             |                                     |  |
|                                            |            |             |                                     |  |
|                                            |            |             |                                     |  |
|                                            |            |             |                                     |  |
|                                            |            |             |                                     |  |
|                                            |            |             |                                     |  |

**TABLE 8C (up to 31.01.10)**  
**Mod. S PM**



|                                            | <b>POS</b> | <b>CODE</b> | <b>DESCRIPTION</b>                  |  |
|--------------------------------------------|------------|-------------|-------------------------------------|--|
| <b>TABLE 8C (up to 18.03.13) Mod. S PM</b> | 1          | 5194542.01  | DRAIN HOSE L=700MM SILICONE         |  |
|                                            | 6          | 5221844     | NUT 1/8"G H3                        |  |
|                                            | 8          | 7304505TR   | FITTING 3 WAY 1/8"G OT              |  |
|                                            | 9          | 7630327     | SOLENOID VALVE COIL 110V PARKER     |  |
|                                            | 9          | 7630328     | SOLENOID VALVE COIL 220/230V PARKER |  |
|                                            | 9          | 7630329     | SOLENOID VALVE COIL 240V PARKER     |  |
|                                            | 10         | 7701111     | SOLENOID VALVE 2 WAY 115V PARKER    |  |
|                                            | 10         | 7702310     | SOLENOID VALVE 2 WAY 230V PARKER    |  |
|                                            | 10         | 7702409     | SOLENOID VALVE 2 WAY 240V PARKER    |  |
|                                            | 12         | 5162245LL   | BOILER LOAD HOSE                    |  |
|                                            | 13         | 5301504TR   | UNION ELBOW 1/8"G X M12             |  |
|                                            | 15         | 5223004     | JET M6 X 6 HOLE D1                  |  |
|                                            | 16         | 5302072     | RUBBER-HOLDER FITTING               |  |
|                                            | 17         | 5471506.01  | CALIBRATED SPRING D1.1 H32 AISI 302 |  |
|                                            | 18         | 7496052     | OR GASKET 114                       |  |
|                                            | 19         | 5224619TP   | GASKET-HOLDER                       |  |
|                                            | 20         | 5493001     | GASKET D8 X 4 EPT 70SH              |  |
|                                            | 21         | 5283049     | SURPRESSION VALVE BODY              |  |
|                                            | 22         | 5224615TP   | GASKET-HOLDER                       |  |
|                                            | 23         | 5471505     | SPRING D0.45 H22 AISI302            |  |
|                                            | 24         | 5302017TP   | STRAIGHT FITTING M12                |  |
|                                            | 25         | 5965165     | ASSEMBLY SURPRESSION VALVE 12BAR    |  |
|                                            | 26         | 7496018     | OR GASKET 105 VITON                 |  |
|                                            |            |             |                                     |  |
|                                            |            |             |                                     |  |
|                                            |            |             |                                     |  |
|                                            |            |             |                                     |  |
|                                            |            |             |                                     |  |
|                                            |            |             |                                     |  |
|                                            |            |             |                                     |  |
|                                            |            |             |                                     |  |
|                                            |            |             |                                     |  |
|                                            |            |             |                                     |  |
|                                            |            |             |                                     |  |
|                                            |            |             |                                     |  |
|                                            |            |             |                                     |  |
|                                            |            |             |                                     |  |
|                                            |            |             |                                     |  |
|                                            |            |             |                                     |  |
|                                            |            |             |                                     |  |
|                                            |            |             |                                     |  |
|                                            |            |             |                                     |  |
|                                            |            |             |                                     |  |
|                                            |            |             |                                     |  |
|                                            |            |             |                                     |  |
|                                            |            |             |                                     |  |
|                                            |            |             |                                     |  |

**TABLE 8C (up to 18.03.13)**  
**Mod. S PM**





**TABLE 8C (from 19.03.13)**  
**Mod. S PM**

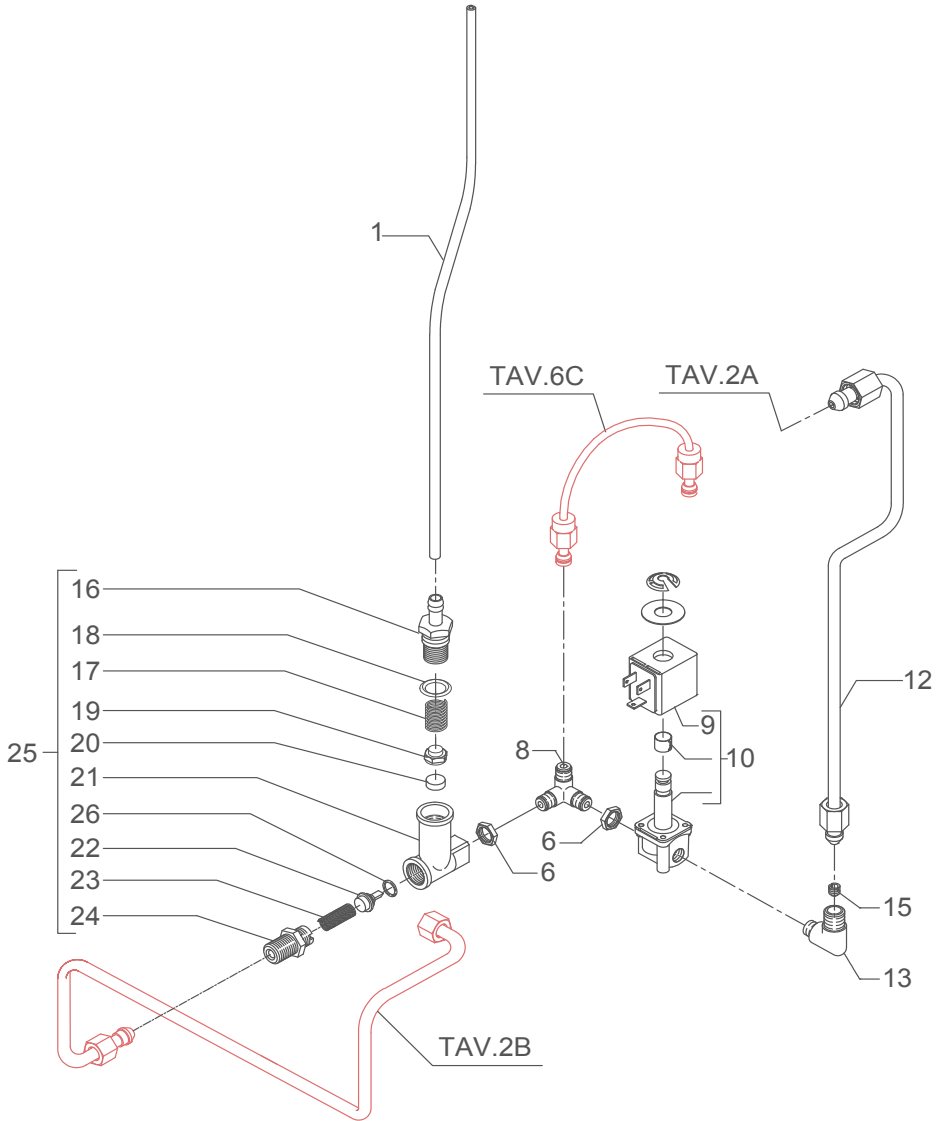






TABLE 9 (up to 31.03.10)

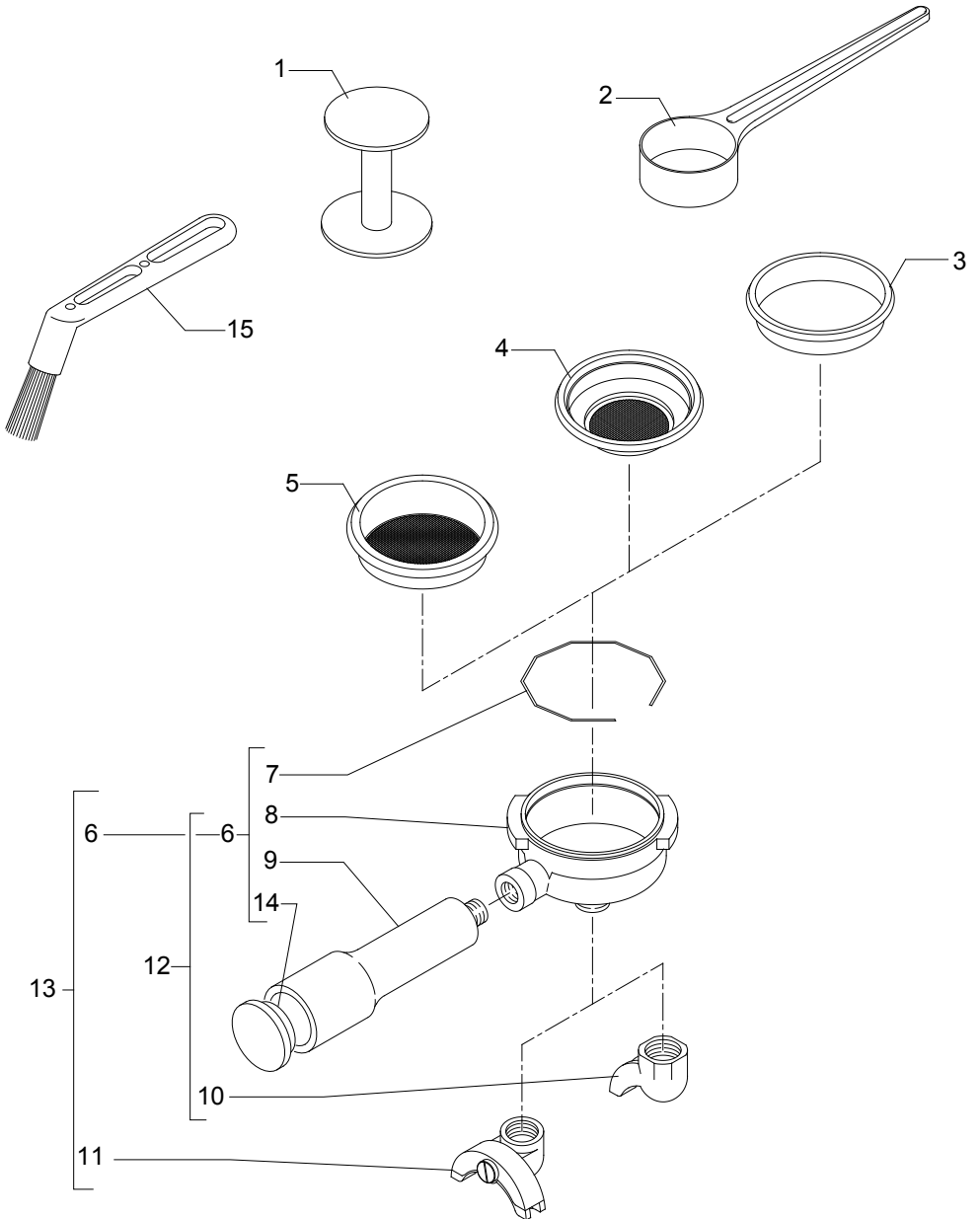




TABLE 9 (from 01.04.10)

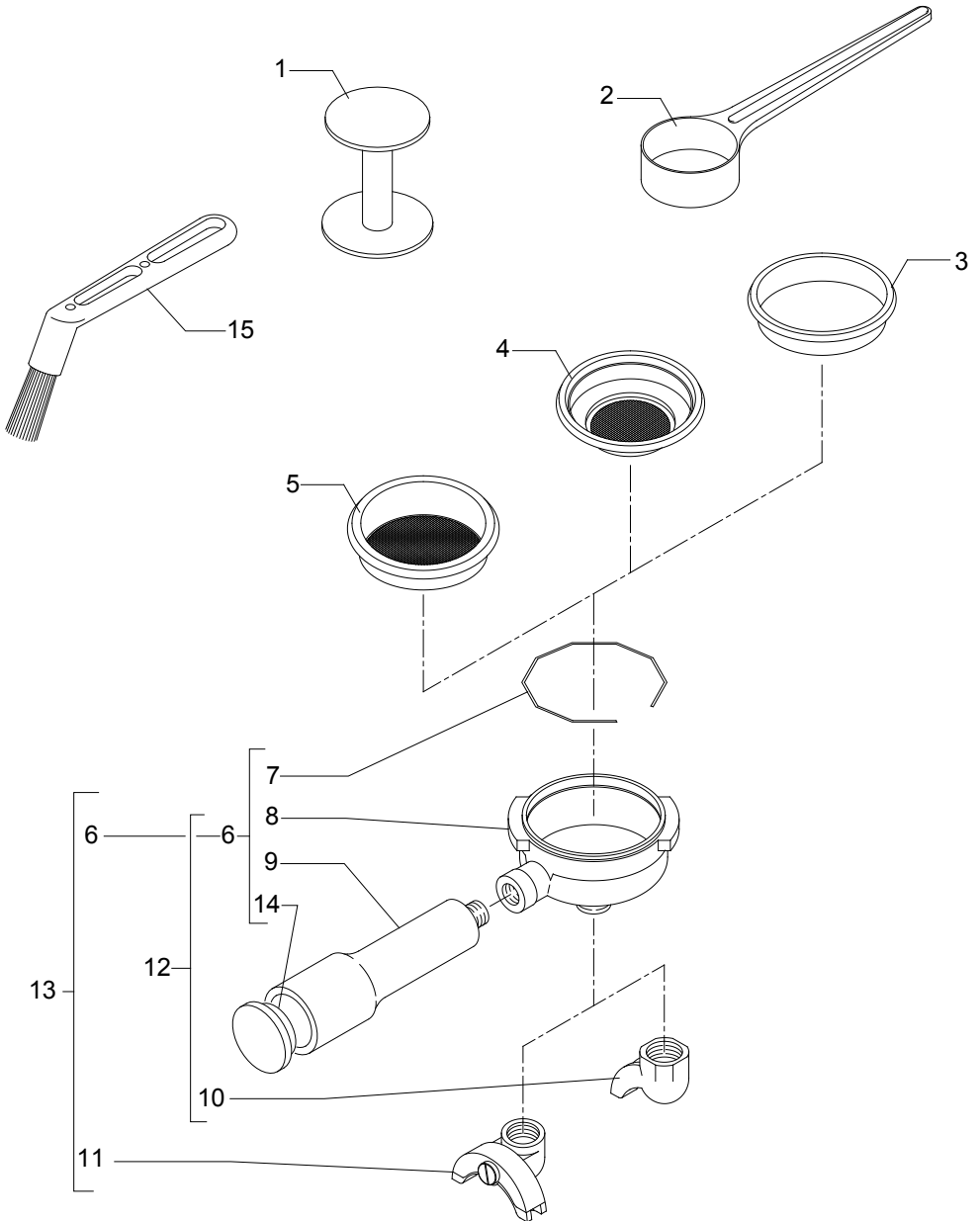
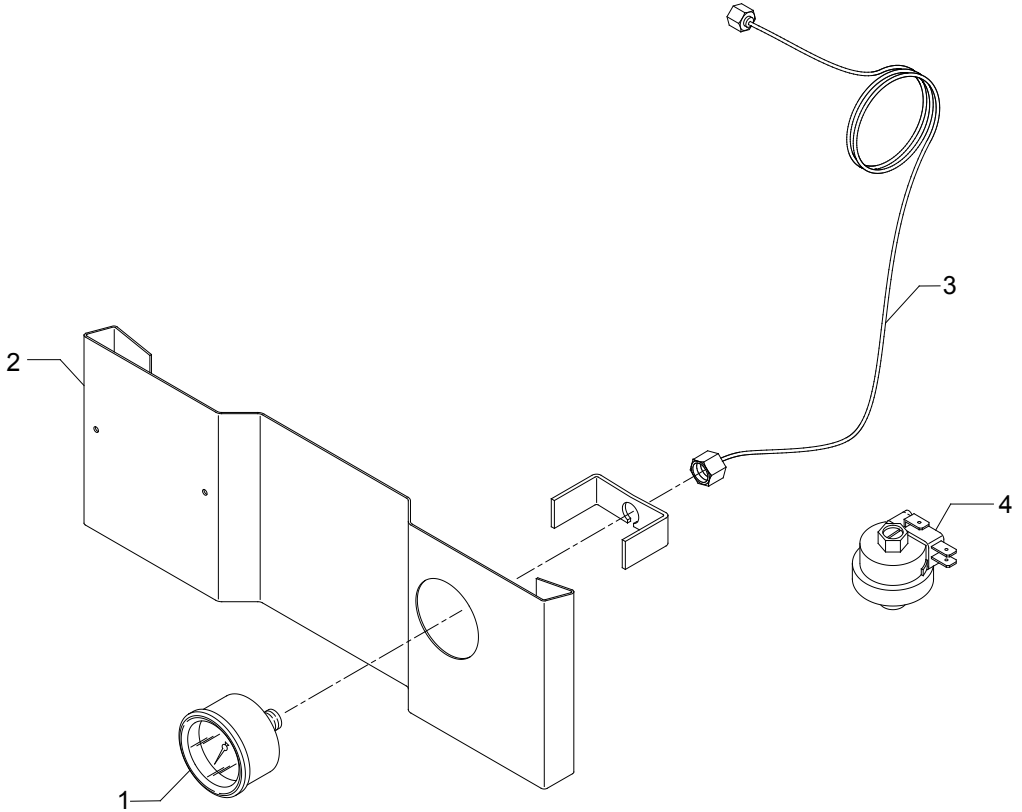


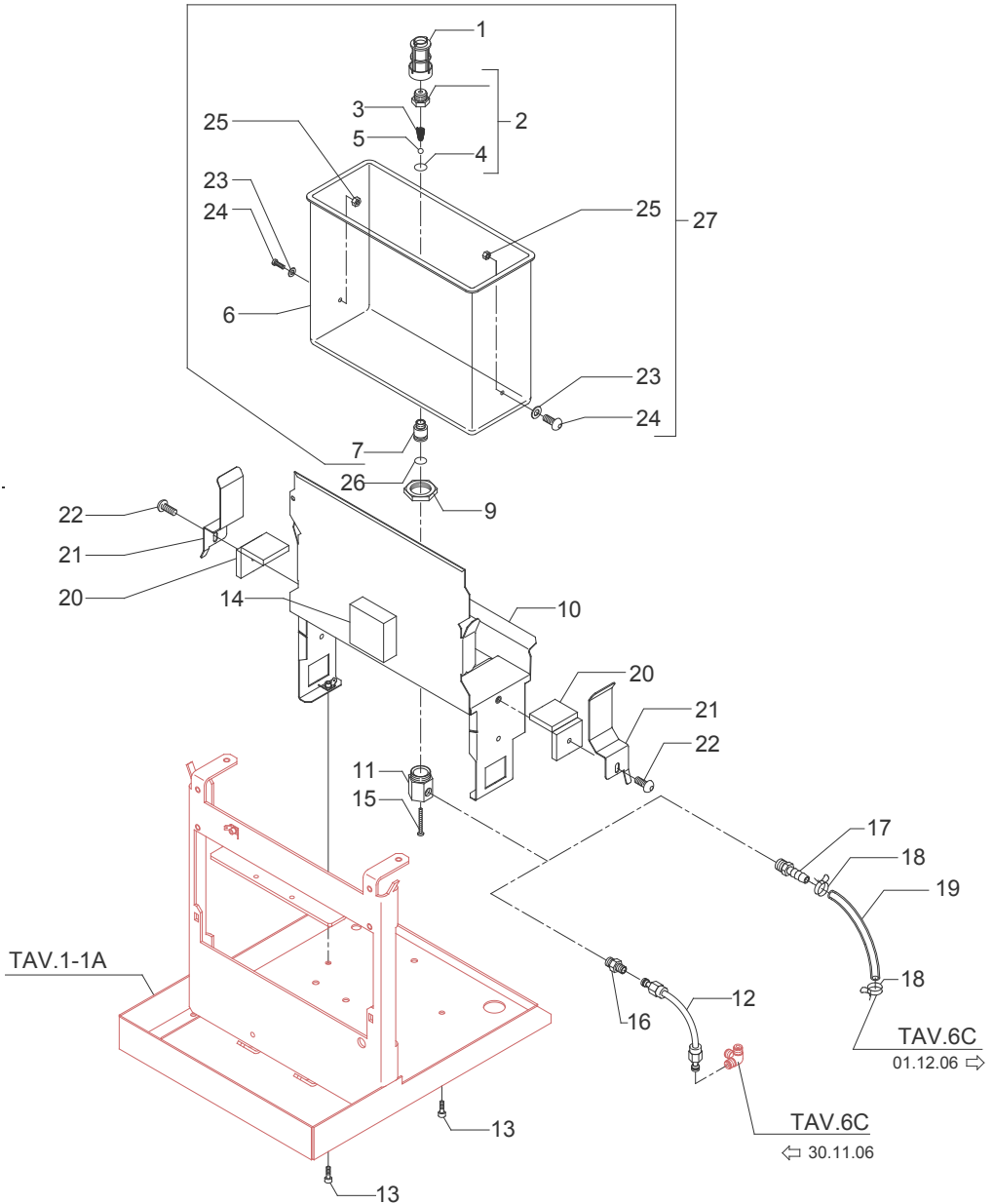


TABLE 10





**TABLE 11**  
**Mod. S PM**





**BEZZERA**

**Dal 1901**

G.BEZZERA

MACCHINE PER CAFFE' ESPRESSO

Via Luigi Bezzera,1

20088 Rosate - Milano - Italy

Tel. ++39 02 90848102 r.a. - Telefax ++39 02 90870287

Web: [www.g.bezzera.it](http://www.g.bezzera.it)

e-mail: [commerciale@bezzera.it](mailto:commerciale@bezzera.it)